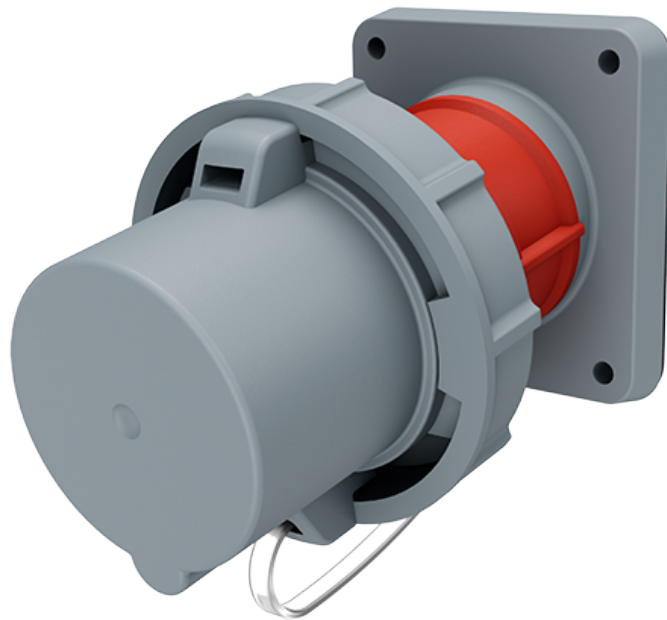


Surface mounted inlet

Part number: 1256



MENNEKES
Elektrotechnik GmbH & Co. KG

Aloys-Mennekes-Straße 1
57399 Kirchhundem
GERMANY

www.MENNEKES.org

Product Description

- screw connection technology
- external fixing
- 10° inclination
- with protective cap attached by a strap

Technical Details

Surface mounted inlet	1256
Ampere	63A
Number of poles	4p
Clock position	6h
Nominal voltage AC	400V
Nominal frequency	50 - 60 Hz
Protection type IP	IP67
Contact carrier	standard
Connection	screw terminals
Tightening torque connection terminal	PZ2, slot
Phase inverter	without phase inverter
Pilot contact	1 pilot contact
Flange dimensions	108 x 101 mm
Hole spacings	70 x 70 mm
Insertion direction	angled
Inclination	10°
Type of mounting	external fixing
Military version	no
Protection cap	with protection cap
Conductor cross-section min.	6 mm ²
Conductor cross-section max.	16 mm ²
Weight (net)	659 g
Packaging unit	5 Stück
Quantity per pallet	225 Stück
EAN / identification number	4015394008897

Permissible ambient conditions

	Min.	Max.
Permanent ambient temperature	-25 °C	40 °C
Average temperature over 24 hours		35 °C

Material properties

Housing	PA6 red [similar RAL 3013]
Flange	PC light grey [similar RAL 7035]
Protective cap	PC light grey [similar RAL 7035]
Bayonet ring	PC/PET light grey [similar RAL 7035]

Material resistance

The material resistance overview can be found on the website in the section “Knowledge” - “Product knowledge” - “Materials”.

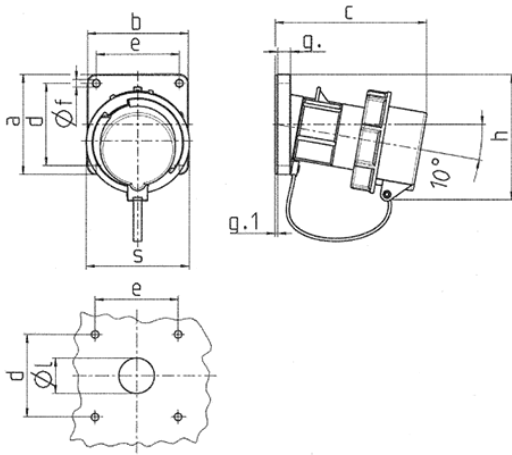
Material and environmental properties

RoHS 2011/65/EU incl. 2015/863/EU	✓
POP regulation (EU) 2019/1021	✓

Regulations and Standards

Norm	DIN EN IEC 60309-2
Declaration of Conformity	CE
Test label	EAC

Dimensional Drawing



Drawing	Amp.	16		32			63		
		Poles		3	4	5	3	4	5
2 MB 62									
Dim. in mm	a	85	85	85	85	85	108	108	108
	b	85	85	85	85	85	101	101	101
	c	132	132	131	131	137	164	164	164
	d	70	70	70	70	70	85	85	85
	e	70	70	70	70	70	77	77	77
	f	6.3	6.3	6.3	6.3	6.3	6.5	6.5	6.5
	g.	11	11	11	11	11	12	12	12
	g.1	2	2	2	2	2	2	2	2
	h	100	107	108	108	111	130	130	130
	s	70	87	94	94	102	114	114	114
	l	30	30	30	30	30	40	40	40
Terminal for cond. cross section (mm ²) min.-max.		1	1	2,5	2,5	2,5	6	6	6
		-2.5	-2.5	-6	-6	-6	-16	-16	-16