

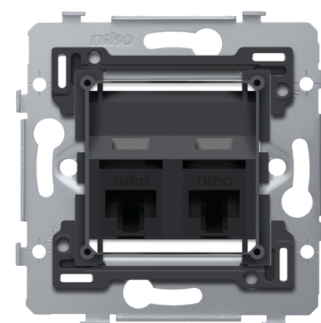
2 RJ45 connections UTP Cat. 6, PoE++ ready, oblique model, incl. base 71 x 71 mm with screw fixing

170-79362

CE

4 year warranty

This mechanism with 2 RJ45 connection points UTP Cat. 6, PoE++ ready, oblique model, is used to make a network connection with 2 devices for telephone, Ethernet, IP, PoE or internet applications. Each of the connection points on the mechanism is connected in a star configuration to the central connection cabinet using a cable of the same performance type. The base has internal dimensions of 45 x 45 mm and external dimensions of 71 x 71 mm and is equipped with screw fixing. A PoE adapter is required to transport both data and power via the connector. A PoE adapter can be both a PoE injector or a PoE splitter. A finishing set in the colour of your choice must be ordered separately.



This article is protected by at least one patent (or patent application). For more info on patents, see www.niko.eu/innovation.

- metal base is held firmly in place, even on uneven walls, doesn't break and is not subject to stress cracking (small ruptures)

Technical data

This mechanism with 2 RJ45 connection points UTP Cat. 6, PoE++ ready, oblique model, is used to make a network connection with 2 devices for telephone, Ethernet, IP, PoE or internet applications. Each of the connection points on the mechanism is connected in a star configuration to the central connection cabinet using a cable of the same performance type. The base has internal dimensions of 45 x 45 mm and external dimensions of 71 x 71 mm and is equipped with screw fixing. A PoE adapter is required to transport both data and power via the connector. A PoE adapter can be both a PoE injector or a PoE splitter. A finishing set in the colour of your choice must be ordered separately.

This article is protected by at least one patent (or patent application). For more info on patents, see www.niko.eu/innovation.

- Service: 4PPoE
- PoE standard: IEEE 802.3BT Type 4
- Maximum power Component (at PD): 72 W
- Maximum power Source (at PSE): 100 W
- Voltage range (at PSE): 50.0-57.0 V

- Voltage range (at PD): 42.5-57 V
 - Maximum current: 860 mA
 - Pairs with current: 4
 - Maximum cable resistance per pair set: 12.5 Ω
 - Power management: Three power class levels negotiated by signature or 0.1 W steps negotiated by LLDP
 - Derating of maximum cable ambient operating temperature: 10 °C (20 °F) with more than half of bundled cables at I_{max}
 - Supported cabling: Category 5
 - Supported modes: Mode A, Mode B, 4-pair mode
-
- Protection degree: IP41 for the combination of a mechanism, central plate and faceplate
 - the combination of a mechanism, a central plate and a faceplate has an impact-resistance of IK06