

# Surface mounted inlet

Part number: 3915



**MENNEKES**  
Elektrotechnik GmbH & Co. KG

Aloys-Mennekes-Straße 1  
57399 Kirchhundem  
GERMANY

[www.MENNEKES.org](http://www.MENNEKES.org)

## Product Description

- screw connection technology
- highly heat resistant contact carrier, nickel plated contacts
- external fixing
- 10° inclination
- with protective cap attached by a strap

## Technical Details

Surface mounted inlet	3915
Ampere	32A
Number of poles	7p
Clock position	6h
Nominal voltage AC	400V
Nominal frequency	50 - 60 Hz
Protection type IP	IP67
Contact carrier	highly heat resistant contact carrier, nickel plated contacts
Connection	screw terminals
Tightening torque connection terminal	PZ2, slot
Phase inverter	without phase inverter
Pilot contact	without pilot contact
Flange dimensions	85 x 85 mm
Hole spacings	70 x 70 mm
Insertion direction	angled
Inclination	10°
Type of mounting	external fixing
Military version	no
Protection cap	with protection cap
Tightening torque connection terminal for cable cross-section 2,5 - 4,0 mm <sup>2</sup>	0.8 Nm
Tightening torque connection terminal for cable cross-section 6,0 mm <sup>2</sup>	1.2 Nm
Recommended wire end treatment for supply cable connection terminal	ferrule square gasproof crimped
Strip length conductor	12 - 17 mm

Surface mounted inlet	3915
Conductor cross-section min.	2.5 mm <sup>2</sup>
Conductor cross-section max.	6 mm <sup>2</sup>
Weight (net)	436 g
Packaging unit	10 Stück
Quantity per pallet	480 Stück
EAN / identification number	4015394114307

Permissible ambient conditions		
	Min.	Max.
Permanent ambient temperature	-25 °C	40 °C
Average temperature over 24 hours		35 °C

Material properties	
Housing	PA6 red [similar RAL 3013]
Flange	PA6 light grey [similar RAL 7035]
Protective cap	PC light grey [similar RAL 7035]
Bayonet ring	PC/PET light grey [similar RAL 7035]

**Material resistance**

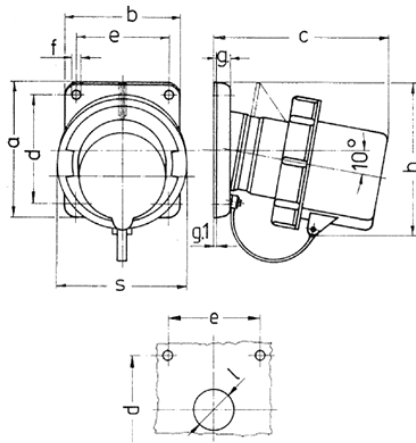
The material resistance overview can be found on the website in the section “Knowledge” - “Product knowledge” - “Materials”.

Material and environmental properties	
RoHS 2011/65/EU incl. 2015/863/EU	✓
POP regulation (EU) 2019/1021	✓

Regulations and Standards

Norm	DIN EN IEC 60309-2
Declaration of Conformity	CE
Test label	EAC

# Dimensional Drawing



Drawing	Amp.	16	32
2 MB 203	Poles	7	7
Dim. in mm	a	85	85
	b	85	85
	c	132	137
	d	70	70
	e	70	70
	f	6.3	6.3
	g.	11	11
	g.1	2	2
	h	107	111
	s	86	102
	l	30	30
Terminal for cond. cross section (mm <sup>2</sup> ) min.-max.		1 -2.5	2.5 -6