

**WATER TUBE Kneipp wall elbow with hose holder with individual rosettes
FlowReduce - Brushed Dark Bronze (PVD)**

SERIES SPECIFIC

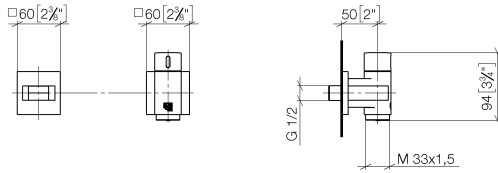
27 841 979 Product version from 6/1/2024



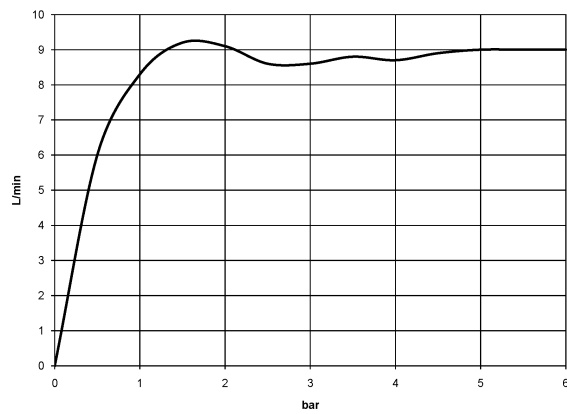
- LAMINAR FLOW, max. flow rate 9 l/min (at 3 bar)
 - with volume control
 - rosette 60 x 60 mm
 - holder for Kneipp hose
 - 1/2" wall elbow
 - without hose
 - This product can help a building meet the requirements of Green Building Rating Systems, e.g. LEED®, BREEAM®, DGNB
- Intrinsic protection against back flow.

	Brushed Dark Bronze (PVD)	27 841 979-43
	Chrome	27 841 979-00
	Brushed Platinum	27 841 979-06
	Platinum	27 841 979-08
	Dark Chrome	27 841 979-19
	Brushed Light Gold (PVD)	27 841 979-27
	Brushed Durabronze (23kt Gold)	27 841 979-28
	Matte Black	27 841 979-33
	Brushed Dark Brass (PVD)	27 841 979-39
	Brushed Bronze (PVD)	27 841 979-42
	Brushed Champagne (22kt Gold)	27 841 979-46
	Champagne (22kt Gold)	27 841 979-47
	Brushed Chrome	27 841 979-93
	Brushed Dark Platinum	27 841 979-99

27 841 979 Product version from 6/1/2024
 mm [inches]



Flow rate chart



Codes & Standards

EN 1717



WATER TUBE Kneipp wall elbow with hose holder with individual rosettes
FlowReduce - Brushed Dark Bronze (PVD)

SERIES SPECIFIC

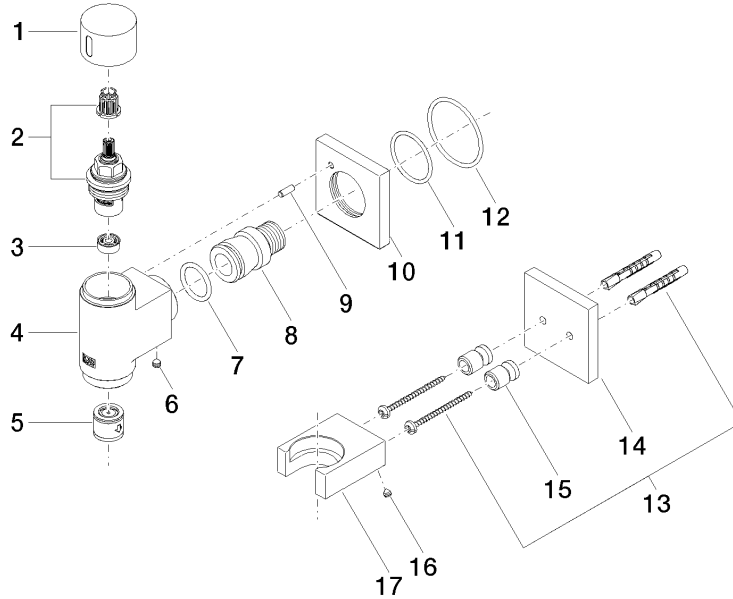
27 841 979 Product version from 6/1/2024

Certificates and sustainability

Belgaqua_24-007-2

27 841 979 Product version from 6/1/2024

Parts for other finishes can be found here: [Chrome](#)



Spare parts list

No.	Item Number	Name	Quantity used	Delivery time
17	09 17 20 023-43	Holder for Kneipp hose 60 x 45 x 20 mm - Brushed Dark Bronze (PVD)	1.00	82
8	09 24 03 151 90	Nipple Ø 28 x 49 mm -	1.00	14
5	90 23 01 045 00 90	Back-flow preventer Ø 20 x 18 mm, without limitation -	1.00	14
2	90 90 03 145 00 90	Head part clockwise closing 3/4" -	1.00	14
15	08 17 20 726 90	Holder Wall mounting Ø 13,5 x 20 mm -	1.00	14
14	09 27 97 022-43	Rosette for spray holder 60 x 60 x 9 mm - Brushed Dark Bronze (PVD)	1.00	82
9	09 31 11 040 90	Straight pin Ø 6 x 12 mm -	1.00	14
11	09 14 10 119 90	O-Ring EPDM 70 33,0 x 2,5 mm -	1.00	14
7	09 14 10 081 90	O-Ring EPDM 70 22,0 x 3,0 mm -	1.00	14
16	09 31 11 148 90	Mounting Threaded pin with hexagon socket with point M5 x 4 mm -	2.00	14
6	90 31 11 112 00 90	Mounting Threaded pin M5 x 6 mm -	1.00	14
4	09 11 03 135-43	Connection - Brushed Dark Bronze (PVD)	1.00	82
13	05 30 31 025 00 90	Mounting Bolt Round head 4,5 x 60 mm -	1.00	14
10	09 27 97 021-43	Rosette 60 x 60 x 9 x Ø 33,2 mm - Brushed Dark Bronze (PVD)	1.00	82
1	09 20 97 021-43	Handle Ø 37 x 25 mm - Brushed Dark Bronze (PVD)	1.00	82
12	90 14 10 049 00 90	O-Ring 45,69 x 2,62 mm -	1.00	14
3	90 23 01 145 00 90	Flow limiter 9 l/min. -	1.00	14