

# Surface mounted inlet

Part number: 1080



**MENNEKES**  
Elektrotechnik GmbH & Co. KG

Aloys-Mennekes-Straße 1  
57399 Kirchhundem  
GERMANY

[www.MENNEKES.org](http://www.MENNEKES.org)

# Product Description

- screw connection technology
- highly heat resistant contact carrier, nickel plated contacts
- external fixing
- 10° inclination

# Technical Details

Surface mounted inlet	1080
Ampere	32A
Number of poles	7p
Clock position	7h
Nominal voltage AC	500V
Nominal frequency	50 - 60 Hz
Protection type IP	IP44
Contact carrier	highly heat resistant contact carrier, nickel plated contacts
Connection	screw terminals
Tightening torque connection terminal	PZ2, slot
Phase inverter	without phase inverter
Pilot contact	without pilot contact
Flange dimensions	75 x 90 mm
Hole spacings	45 x 78 mm
Insertion direction	angled
Inclination	10°
Type of mounting	external fixing
Military version	no
Protection cap	without protection cap
Tightening torque connection terminal for cable cross-section 2,5 - 4,0 mm <sup>2</sup>	0.8 Nm
Tightening torque connection terminal for cable cross-section 6,0 mm <sup>2</sup>	1.2 Nm
Recommended wire end treatment for supply cable connection terminal	ferrule square gasproof crimped
Strip length conductor	12 - 17 mm
Conductor cross-section min.	2.5 mm <sup>2</sup>

Surface mounted inlet	1080
Conductor cross-section max.	6 mm <sup>2</sup>
Weight (net)	282 g
Packaging unit	10 Stück
Quantity per pallet	660 Stück
EAN / identification number	4015394007234

Permissible ambient conditions	Min.	Max.
	Permanent ambient temperature	-25 °C
Average temperature over 24 hours		35 °C

Material properties	
Housing	PA6 black [similar RAL 9005]

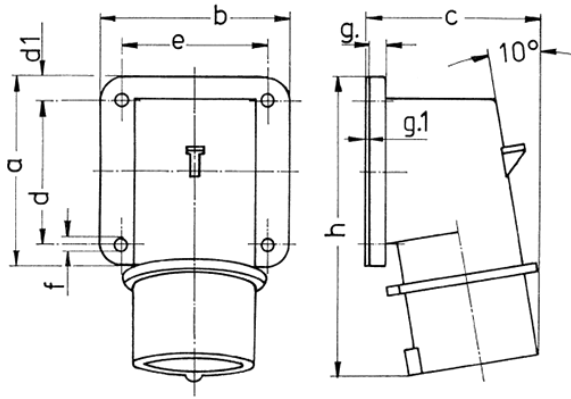
**Material resistance**

The material resistance overview can be found on the website in the section “Knowledge” - “Product knowledge” - “Materials”.

Material and environmental properties	
RoHS 2011/65/EU incl. 2015/863/EU	✓
POP regulation (EU) 2019/1021	✓

Regulations and Standards	
Norm	DIN EN IEC 60309-2
Declaration of Conformity	CE
Test label	EAC, CQC

# Dimensional Drawing



Drawing	Amp.	16	32
2 MB 71	Poles	7	7
Dim. in mm	a	85	75
	b	85	90
	c	79	90
	d	64	45
	d1	10	13
	e	64	78
	f	5.5	5.5
	g.	6	6
	g.1	2	2
	h	129	138
Terminal for cond. cross section (mm <sup>2</sup> ) min.-max.		1 -2.5	2.5 -6