

# Surface mounted inlet

Part number: 411



**MENNEKES**  
Elektrotechnik GmbH & Co. KG

Aloys-Mennekes-Straße 1  
57399 Kirchhundem  
GERMANY

[www.MENNEKES.org](http://www.MENNEKES.org)

# Product Description

- screw connection technology
- external fixing
- 10° inclination
- with hinged lid

# Technical Details

Surface mounted inlet	411
Ampere	32A
Number of poles	5p
Clock position	9h
Nominal voltage AC	230V
Nominal frequency	50 - 60 Hz
Protection type IP	IP44
Contact carrier	standard
Connection	screw terminals
Tightening torque connection terminal	PZ2, slot
Phase inverter	without phase inverter
Pilot contact	without pilot contact
Flange dimensions	75 x 90 mm
Hole spacings	45 x 78 mm
Insertion direction	angled
Inclination	10°
Type of mounting	external fixing
Military version	no
Protection cap	without protection cap
Tightening torque connection terminal for cable cross-section 2,5 - 4,0 mm <sup>2</sup>	0.8 Nm
Tightening torque connection terminal for cable cross-section 6,0 mm <sup>2</sup>	1.2 Nm
Recommended wire end treatment for supply cable connection terminal	ferrule square gasproof crimped
Strip length conductor	12 - 17 mm
Conductor cross-section min.	2.5 mm <sup>2</sup>

Surface mounted inlet	411
Conductor cross-section max.	6 mm <sup>2</sup>
Weight (net)	365 g
Packaging unit	10 Stück
Quantity per pallet	480 Stück
EAN / identification number	4015394003038

Permissible ambient conditions		
	Min.	Max.
Permanent ambient temperature	-25 °C	40 °C
Average temperature over 24 hours		35 °C

Material properties	
Housing	PA6 blue [similar RAL 5007]
Hinged lid	PA6 light grey [similar RAL 7035]

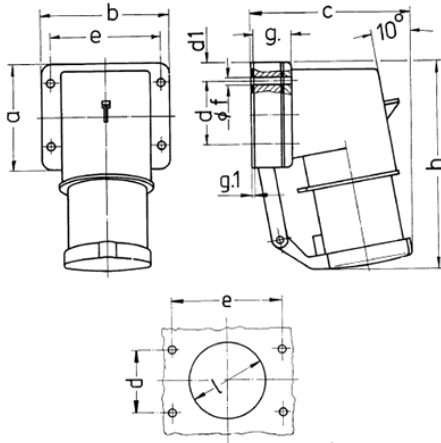
**Material resistance**

The material resistance overview can be found on the website in the section “Knowledge” - “Product knowledge” - “Materials”.

Material and environmental properties	
RoHS 2011/65/EU incl. 2015/863/EU	✓
POP regulation (EU) 2019/1021	✓

Regulations and Standards	
Norm	DIN EN IEC 60309-2
Declaration of Conformity	CE
Test label	EAC, CQC

# Dimensional Drawing



Drawing	Amp.	16		32		
		4	5	3	4	5
2 MB 43	Poles					
Dim. in mm	a	85	85	75	75	75
	b	85	85	90	90	90
	c	104	106	115	115	117
	d	64	64	45	45	45
	d1	10	10	13	13	13
	e	64	64	78	78	78
	f	5.5	5.5	5.5	5.5	5.5
	g.	27	27	27	27	27
	g.1	2	2	1	1	1
	h	140	140	150	150	150
	l	50	50	55	55	55
	Terminal for cond. cross section (mm <sup>2</sup> ) min.-max.	1	1	2.5	2.5	2.5
		-2.5	-2.5	-6	-6	-6