

Technical datasheet



EATON

Powering Business Worldwide

Discover CP6000 EV chargers

The CP6000 supports flexible power settings up to 22 kW per port for single- and three-phase service. Power Select allows stations to be installed and configured for power lower than the maximum rating. Circuit Share allows a dual-port station to share power from a single input circuit (subject to local regulations) across two ports, adjusting power depending on whether one or both ports are charging. Standard wiring uses an independent input power circuit for each port. Circuit Share can be used in combination with Power Select.



CP6000 Dual AC – EMEA Ordering Overview

Table 1. CP6000 Dual AC EMEA products description

Catalogue product name (Eaton / ChargePoint)	Mounting	Outlet configuration	Electrical rating
CP6000 Dual AC – Pedestal Mount – Type 2 Cable	Pedestal	2 × Type 2 integrated cable (5.5 m)	32 A, 1- and 3-phase
CP6000 Dual AC – Pedestal Mount – Type 2 Socket	Pedestal	2 × Type 2 socket	32 A, 1- and 3-phase
CP6000 Dual AC – Pedestal Mount – Type 2 Shuttered Socket	Pedestal	2 × Type 2 shuttered socket	32 A, 1- and 3-phase
CP6000 Dual AC – Wall Mount – Type 2 Cable	Wall	2 × Type 2 integrated cable (5.5 m)	32 A, 1- and 3-phase
CP6000 Dual AC – Wall Mount – Type 2 Socket	Wall	2 × Type 2 socket	32 A, 1- and 3-phase
CP6000 Dual AC – Wall Mount – Type 2 Shuttered Socket	Wall	2 × Type 2 shuttered socket	32 A, 1- and 3-phase
CP6000 Concrete Mounting Kit	-	Concrete foundation kit (pedestal)	Accessory

Note: Additional article numbers and available charging station configurations are detailed in the Eaton CP6000 Dual AC EV Charger EMEA Catalogue, accessible via the Resources tab under the “Catalogues” section on the Eaton website.

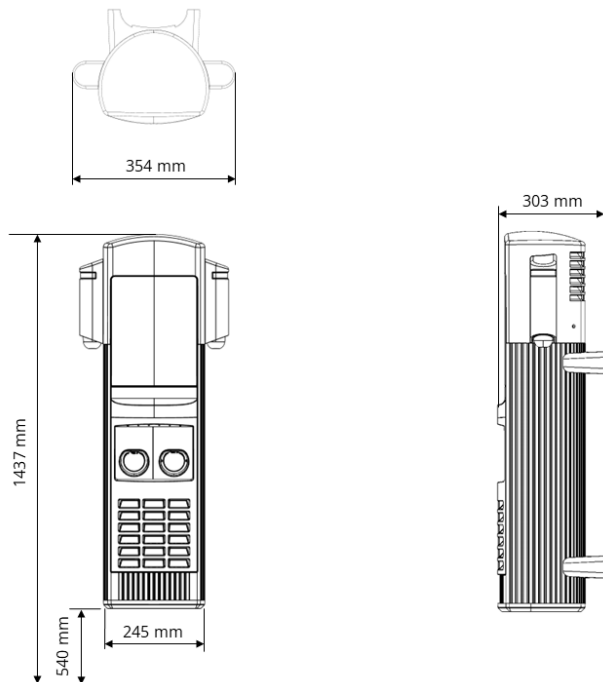
Technical specifications

Technical disclaimer

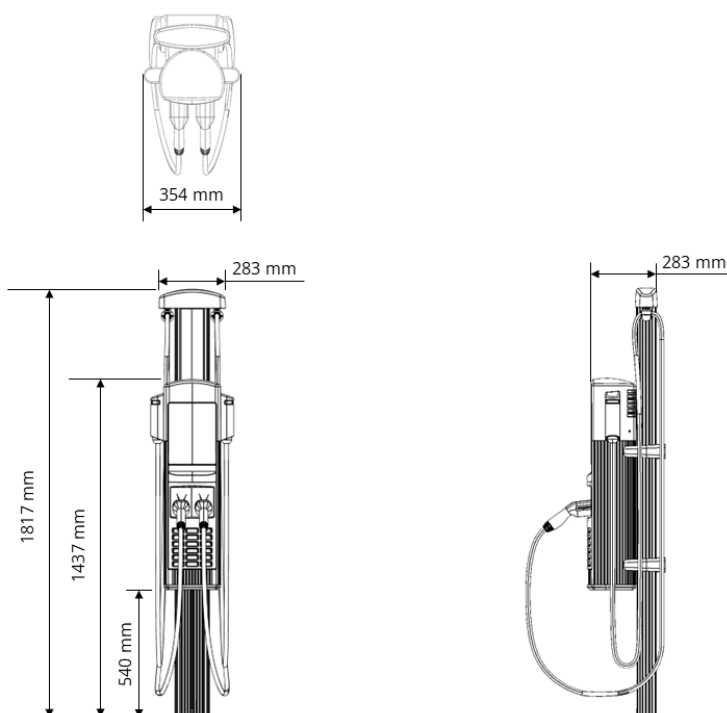
All drawings, descriptions or illustrations contained in this document serve to provide a clear overview and/or technical explanation of the present product and its various components and accessories. In line with our goal to continuously improve the products and the customer service we provide, all specifications contained in this document are subject to change without notice.

Dimensions (W x H x D) in mm

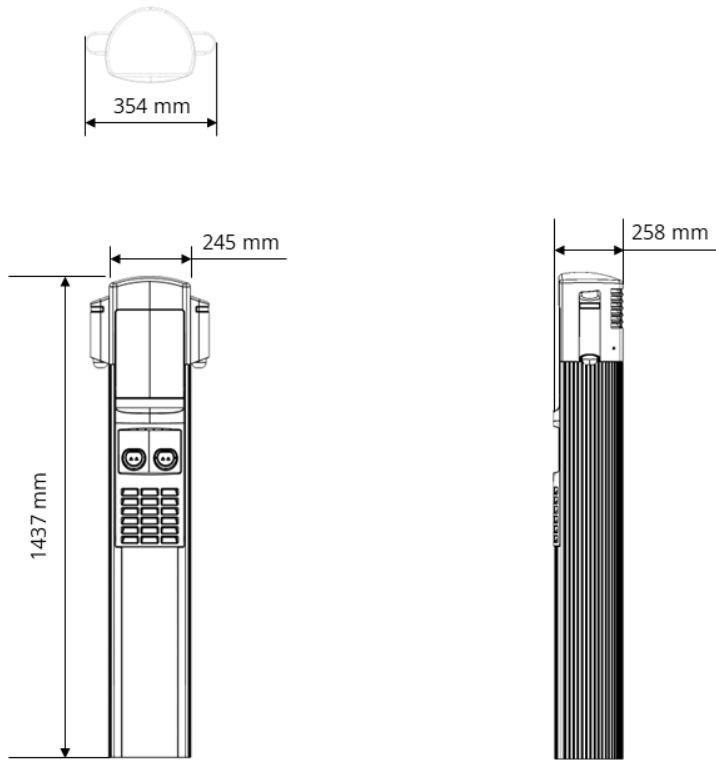
I. Wall mounted with sockets



II. Wall mounted with cables



III. Pedestal mounted with sockets



IV. Pedestal mounted with cables

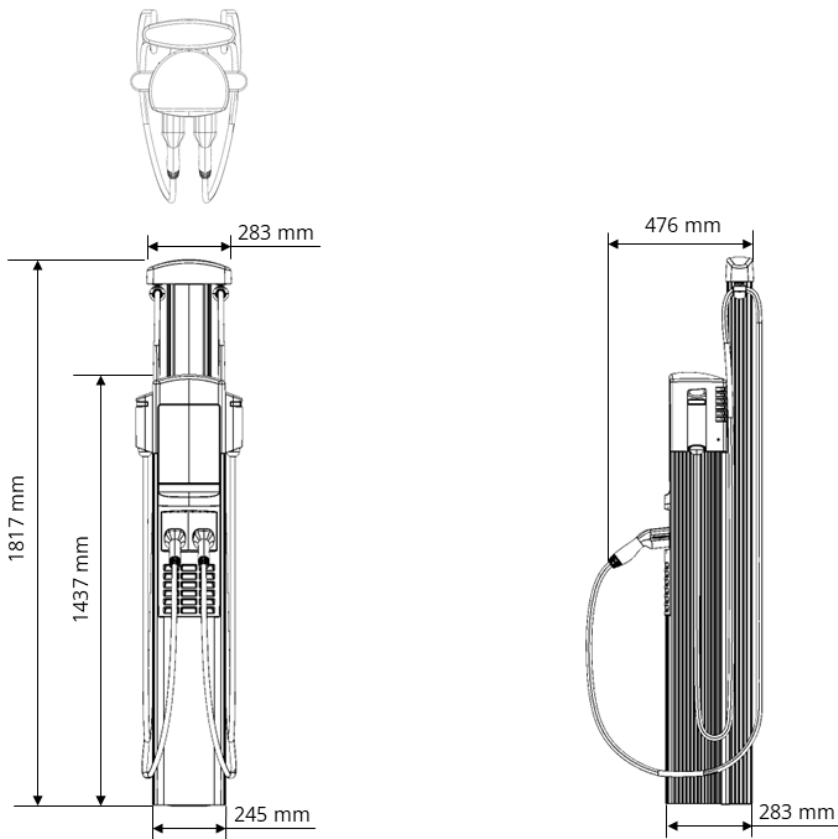


Table 2. Technical specifications - ChargePoint® 6000 Series

Specifications and functional interfaces	
Connector types	IEC 62196 2 Type 2 socket, IEC 62196 2 Type 2 integrated cable (Type 2 shuttered socket outlet available in France)
Number of ports	Single, dual
Cable length	5.5 m, 7 m
Cable management	Included with integrated cable models
Display / user interface	Full color 203 mm (8 inch) interactive display with full motion video, UV protection, gesture touch controls and multi language support
Display option	Version without display available for private commercial fleet charging
Authentication and payment	RFID: ISO 15693, ISO 14443, NEMA EVSE 1.2 2015 (UR) Tap to Charge (NFC on Apple & Android for supported countries) Remote: mobile and in vehicle (if supported) Contactless credit card (for supported countries)
ISO 15118	Supported by hardware
Locking holster	Yes
MID compliant meter	Yes
Mess and Eichrecht	Yes
Power management features	
Power sharing	Yes
Circuit sharing	Yes
Demand response	Supported via OCPP
Power measurement accuracy	±2%
Power report / store interval	15 minutes, aligned to the hour
Connectivity features	
Wide area network	LTE Category 4; GSM as backup
Local area network	Wi Fi 2.4 GHz and 5 GHz (802.11 b/g/n/ac)
Network protocol	OCPP 2.0.1
Safety, environmental and operational ratings	
Residual current device	Included: 30 mA, Type A SI up to 30 mA AC detection
DC fault current detection	Electronic, DC ≥ 6 mA
Plug out detection	Yes
Safety compliance	IEC 61851 1 (ed. 3.0, 2017) IEC 62955 1:2018 IEC 62368 1:2020 IEC 61439 7:2020 LVD 2014/35/EU
Station surge protection	Up to 4 kV (IEC 61000 4 5)
Station enclosure rating	IP56, IK10
EMC compliance	EMC 2014/30/EU RED 2014/53/EU IEC 61851 21 2:2018
Storage temperature	-40 °C to +60 °C
Operating temperature	-25 °C to +50 °C
Operating humidity	Up to 85% @ 50 °C, non condensing
Non operating humidity	Up to 95% @ 50 °C, non condensing
Mechanical class	M2
Electrical class	E2
Metering accuracy	Class A

Power Select configurations

Specifications

The CP6000 supports flexible power settings up to 22 kW per port for single- and three-phase service. Power Select allows stations to be installed and configured for power lower than the maximum rating. Circuit Share allows a dual-port station to share power from a single input circuit (subject to local regulations) across two ports, adjusting power depending on whether one or both ports are charging. Standard wiring uses an independent input power circuit for each port. Circuit Share can be used in combination with Power Select.

Table 3. Power Select standard configurations for three-phase electrical input

Configuration	Station use	Input supply	Required branch circuits	Minimum service panel breaker
Standard 32 A	Dual port, 2 x 22kW	2 x 32A	2 x independent circuits	2 x 40A,C,3P+N/4P
Standard 32 A (Circuit Shared*)	Dual port, 2 x 22kW	1 x 63A	1 x shared circuit	1 x 80A,C,3P+N/4P
Power Select 25 A	Dual port, 2 x 17,3kW	2 x 25A	2 x independent circuits	2 x 32A,C,3P+N/4P
Power Select 25 A (Circuit Shared*)	Dual port, 2 x 17,3kW	1 x 50A	1 x shared circuit	1 x 63A,C,3P+N/4P
Power Select 20 A	Dual port, 2 x 13,8kW	2 x 20A	2 x independent circuits	2 x 25A,C,3P+N/4P
Power Select 20 A (Circuit Shared*)	Dual port, 2 x 13,8kW	1 x 40A	1 x shared circuit	1 x 50A,C,3P+N/4P
Power Select 16 A	Dual port, 2 x 11kW	2 x 16A	2 x independent circuits	2 x 20A,C,3P+N/4P
Power Select 16 A (Circuit Shared*)	Dual port, 2 x 11kW	1 x 32A	1 x shared circuit	1 x 40A,C,3P+N/4P
Power Select 12 A	Dual port	2 x 12A	2 x independent circuits	2 x 16A,C,3P+N/4P

Wiring and protection for three-phase electrical input	
Item	Dual port station
Wiring – Standard	2 x 5 wire (L1, L2, L3, N, PE)
Wiring – Circuit Shared*	1 x 5 wire (L1, L2, L3, N, PE)
Service panel RCD	Refer to installation guide for RCD and MCB selection
Input phase balancing*	Supported to reduce grid asynchronicity

* Circuit Sharing and Phase Balancing require installation of the included Power Management Kit. Breaker ratings apply per branch circuit. Local electrical regulations must always be observed.

Table 4. Power Select standard configurations for single-phase electrical input

Configuration	Station use	Input supply	Required branch circuits	Minimum service panel breaker
Standard 32 A	Dual port, 2 x 7,4kW	2 x 32A	2 x independent circuits	2 x 40A,C,1P+N/2P
Standard 32 A (Circuit Shared*)	Dual port, 2 x 7,4kW	1 x 63A	1 x shared circuit	1 x 80A,C,1P+N/2P
Power Select 25 A	Dual port, 2 x 5,8kW	2 x 25A	2 x independent circuits	2 x 32A,C,1P+N/2P
Power Select 25 A (Circuit Shared*)	Dual port, 2 x 5,8kW	1 x 50A	1 x shared circuit	1 x 63A,C,1P+N/2P
Power Select 20 A	Dual port, 2 x 4,6kW	2 x 20A	2 x independent circuits	2 x 25A,C,1P+N/2P
Power Select 20 A (Circuit Shared*)	Dual port, 2 x 4,6kW	1 x 40A	1 x shared circuit	1 x 50A,C,1P+N/2P
Power Select 16 A	Dual port, 2 x 3,7kW	2 x 16A	2 x independent circuits	2 x 20A,C,1P+N/2P
Power Select 16 A (Circuit Shared*)	Dual port, 2 x 3,7kW	1 x 32A	1 x shared circuit	1 x 40A,C,1P+N/2P
Power Select 12 A	Dual port, 2 x 2,8kW	2 x 12A	2 x independent circuits	2 x 16A,C,1P+N/2P

Wiring and protection for single-phase electrical input	
Item	Dual port station
Wiring – Standard	2 × 3 wire (L1, N, PE)
Wiring – Circuit Shared*	1 × 3 wire (L1, N, PE)
Service panel RCD	Refer to installation guide for RCD and MCB selection
Input phase balancing*	Supported to reduce grid asynchronicity

* Circuit Sharing and Phase Balancing require installation of the included Power Management Kit.
Breaker ratings apply per branch circuit.
Always comply with local electrical regulations.

Table 7. Product part numbers for CP6000 with sockets

CP6000 Wall mounted 2 x 22kW with sockets, article numbers and quantities			
Description	Socket, wall mounted	Socket, wall mounted, Eichrecht	Socket + shutter, wall mounted (France)
Head unit	E99-006605 (1x)	E99-M06807 (1x)	E99-006610 (1x)
Mounting kit	E99-006024 (1x)	E99-006024 (1x)	E99-006024 (1x)
Cable management	-	-	-
Concrete mounting kit	-	-	-
ChargePoint CloudPlan *	CL0103-01 (2x)	CL0103-01 (2x)	CL0103-01 (2x)
Activation Service	SP0020-01 (1x)	SP0020-01 (1x)	SP0020-01 (1x)

* Cloud plan per socket required.
Other cloud plans are available. Please find these options in the CP6000 catalog

CP6000 Pedestal mounted 2 x 22kW with sockets, article numbers and quantities			
Description	Socket, pedestal	Socket, pedestal, Eichrecht	Socket + shutter, pedestal (France)
Head unit	E99-006605 (1x)	E99-M06807 (1x)	E99-006610 (1x)
Mounting kit	E99-006023 (1x)	E99-006023 (1x)	E99-006023 (1x)
Cable management	-	-	-
Concrete mounting kit	E99-006008 (1x)	E99-006008 (1x)	E99-006008 (1x)
ChargePoint CloudPlan *	CL0103-01 (2x)	CL0103-01 (2x)	CL0103-01 (2x)
Activation Service	SP0020-01 (1x)	SP0020-01 (1x)	SP0020-01 (1x)

* Cloud plan per socket required.
Other cloud plans are available. Please find these options in the CP6000 catalog

Table 8. Product part numbers for CP6000 with cables

CP6000 Wall mounted 2 x 22kW with cables, article numbers and quantities				
Description	Cable 5,5 m, wall mounted	Cable 7 m, wall mounted	Cable 5,5 m, wall mounted, Eichrecht	Cable 7 m, wall mounted, Eichrecht
Head unit	E99-006602 (1x)	E99-006615 (1x)	E99-M06801 (1x)	E99-M06805 (1x)
Mounting kit	E99-006024 (1x)	E99-006024 (1x)	E99-006024 (1x)	E99-006024 (1x)
Cable management	E99-006030 (1x)	E99-006031 (1x)	E99-006030 (1x)	E99-006031 (1x)
Concrete mounting kit	-	-	-	
ChargePoint CloudPlan *	CL0103-01 (2x)	CL0103-01 (2x)	CL0103-01 (2x)	CL0103-01 (2x)
Activation Service	SP0020-01 (1x)	SP0020-01 (1x)	SP0020-01 (1x)	SP0020-01 (1x)

CP6000 Pedestal mounted 2 x 22kW with cables, article numbers and quantities				
Description	Cable 5,5 m, pedestal	Cable 7 m, pedestal	Cable 5,5 m, pedestal, Eichrecht	Cable 7 m, pedestal, Eichrecht
Head unit	E99-006602 (1x)	E99-006615 (1x)	E99-M06801 (1x)	E99-M06805 (1x)
Mounting kit	E99-006023 (1x)	E99-006023 (1x)	E99-006023 (1x)	E99-006023 (1x)
Cable management	E99-006030 (1x)	E99-006031 (1x)	E99-006030 (1x)	E99-006031 (1x)
Concrete mounting kit	E99-006008 (1x)	E99-006008 (1x)	E99-006008 (1x)	E99-006008 (1x)
ChargePoint CloudPlan *	CL0103-01 (2x)	CL0103-01 (2x)	CL0103-01 (2x)	CL0103-01 (2x)
Activation Service	SP0020-01 (1x)	SP0020-01 (1x)	SP0020-01 (1x)	SP0020-01 (1x)

* Cloud plan per socket required.

Other cloud plans are available. Please find these options in the CP6000 catalog

-chargepoint+

POWERED BY **EAT•N**

Changes to the products, to the information contained in this document, and to prices are reserved; so are errors and omissions. Only order confirmations and technical documentation by Eaton is binding. Photos and pictures also do not warrant a specific layout or functionality. Their use in whatever form is subject to prior approval by Eaton. The same applies to Trademarks (especially Eaton, Moeller, and Cutler-Hammer). The Terms and Conditions of Eaton apply, as referenced on Eaton Internet pages and Eaton order confirmations.

Eaton
EMEA Headquarters
Route de la Longeraie 7
1110 Morges, Switzerland
Eaton.com

©2026 Eaton
All Rights Reserved
Publication No. TD191045EN
March 2026

Eaton is a registered trademark.

All other trademarks are property
of their respective owners.

Follow us on social media to get the latest
product and support information.

