

# Concord

Solstice 150 3100lm 940 DALI  
2070419



## Features

- Solstice 150 3100lm 940 DALI

## Product Overview

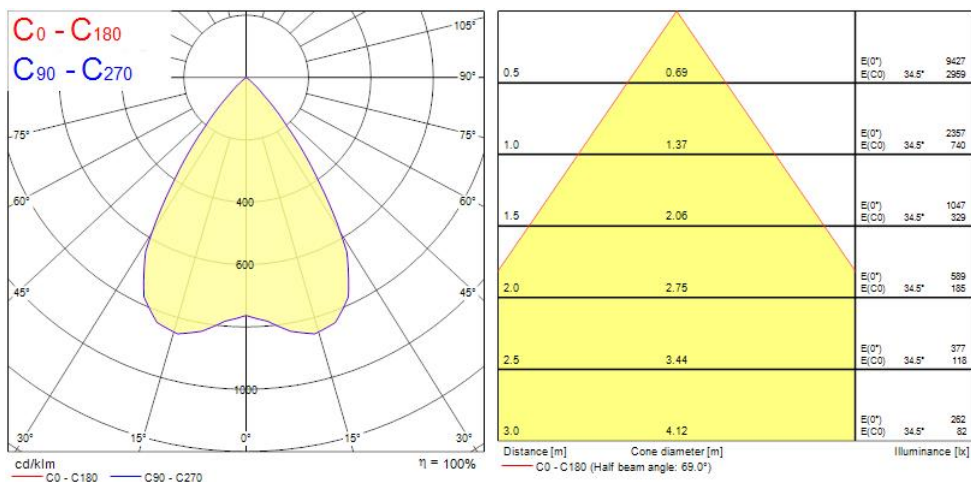
Product name	Solstice 150 3100lm 940 DALI
Technology	LED
Cap/Base	N/A
Housing	Aluminium
Mount	Ceiling recessed mounting
Fixture luminous flux (lm)	3100
Luminaire efficacy (lm/W)	129
LOR (%)	100
Colour temperature (K)	4000
Light colour	Neutral White
CRI (Ra)	90
Colour Consistency (SDCM)	3
Colour Variation Initial (SDCM)	3
Glare control	< 20
Photobiological Risk Group	RG1
Total power consumption (W)	24
Electrical protection	Class II
Control gear type	LED driver constant current
LED Flickering Rate	Ultra low (5% or less)
Housing colour	RAL 9016 - Traffic white / Bezel

# Concord

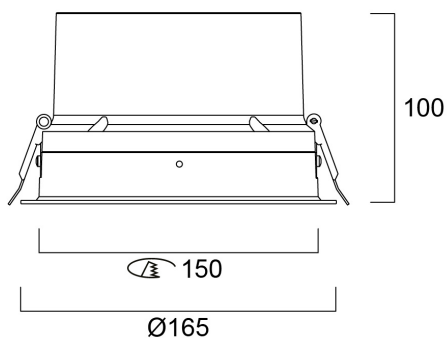
Solstice 150 3100lm 940 DALI  
2070419

IP rating	IP40/20
IK rating	IK02
Product EAN number	5025768704194
Warranty	5 years
Useful luminous flux (#use)	3100

## Photometry



## Technical drawings



# Concord

Solstice 150 3100lm 940 DALI  
2070419

## Data table

### GENERAL DATA

Product name	Solstice 150 3100lm 940 DALI
Technology	LED
Cap/Base	N/A
Housing	Aluminium
Mount	Ceiling recessed mounting
Operating temperature range (°C)	-10°C...+40°C
Performance ambient temperature Tq (°C)	40
Warranty	5 years

### OPTICAL DATA

Useful luminous flux (#use)	3100
Fixture luminous flux (lm)	3100
Luminaire efficacy (lm/W)	129
LOR (%)	100
Colour temperature (K)	4000
Light colour	Neutral White
CRI (Ra)	90
Colour Consistency (SDCM)	3
Colour Variation Initial (SDCM)	3
Glare control	< 20
Photobiological Risk Group	RG1

### ELECTRICAL DATA

Total power consumption (W)	24
Current (A)	1
Primary Supply/Product voltage - min (V)	220.0
Lamp power factor	0.98
Electrical protection	Class II
Control gear required	No

# Concord

## Solstice 150 3100lm 940 DALI 2070419

Control gear type	LED driver constant current
Drive current (mA)	400
Inrush Current (A)	18
Inrush Duration (µs)	140
Glow Wire Test (°C)	850
Energy Efficiency Class (A->G) of contained light source	C
Nominal Frequency (Hz)	50/60Hz
LED Flickering Rate	Ultra low (5% or less)
Max. products per 10A C Breaker	36
Max. products per 13A C Breaker	50
Max. products per 16A C Breaker	60
Max. products per 20A B Breaker	46
Connectable conductor cross section - Min (mm <sup>2</sup> )	0.5
Connectable conductor cross section - Max (mm <sup>2</sup> )	2.5

### LIFETIME DATA

Lifespan L70 B50	120000
Lifespan L70 B20	120000
Lifespan L70 B10	120000
Lifespan L80 B50	120000
Lifespan L80 B20	120000
Lifespan L80 B10	120000
Lifespan L90 B50	84000
Lifespan L90 B20	76000
Lifespan L90 B10	74000

### PHYSICAL DATA

Housing colour	RAL 9016 - Traffic white / Bezel
IP rating	IP40/20
IK rating	IK02
Diffuser finish	Diffuse

# Concord

Solstice 150 3100lm 940 DALI  
2070419

Diffuser material	PC Polycarbonate
Nominal Product Diameter (mm)	165
Built-in diameter (mm)	150
Max. Lamp Diameter (mm) - D	165
Weight (kg)	0.95
Recessed Depth (mm)	150

## PACKAGING

Product EAN number	5025768704194
Packaging single width (cm)	25.0
Packaging single depth (cm)	12.5
DUN14 (outer)	05025768704194
Packaging outer length / height (cm)	27.5

## SAFETY DATA

Optimal operating condition (°C)	-10-40
Special purpose lamp	No
Dry applications use only	No
Suitable for household illumination	No