

Surface mounted inlet

Part number: 434



MENNEKES
Elektrotechnik GmbH & Co. KG

Aloys-Mennekes-Straße 1
57399 Kirchhundem
GERMANY

www.MENNEKES.org

Product Description

- screw connection technology
- external fixing
- 45° inclination

Technical Details

Surface mounted inlet	434
Ampere	32A
Number of poles	3p
Clock position	6h
Nominal voltage AC	230V
Nominal frequency	50 - 60 Hz
Protection type IP	IP44
Contact carrier	standard
Connection	screw terminals
Tightening torque connection terminal	PZ2, slot
Phase inverter	without phase inverter
Pilot contact	without pilot contact
Flange dimensions	85 x 85 mm
Hole spacings	70 x 70 mm
Insertion direction	angled
Inclination	45°
Type of mounting	external fixing
Military version	no
Protection cap	without protection cap
Tightening torque connection terminal for cable cross-section 2,5 - 4,0 mm ²	0.8 Nm
Tightening torque connection terminal for cable cross-section 6,0 mm ²	1.2 Nm
Recommended wire end treatment for supply cable connection terminal	ferrule square gasproof crimped
Strip length conductor	12 - 17 mm
Conductor cross-section min.	2.5 mm ²
Conductor cross-section max.	6 mm ²

Surface mounted inlet	434
Weight (net)	228 g
Packaging unit	10 Stück
Quantity per pallet	540 Stück
EAN / identification number	4015394003076

Permissible ambient conditions

	Min.	Max.
Permanent ambient temperature	-25 °C	40 °C
Average temperature over 24 hours		35 °C

Material properties

Housing	PA6 blue [similar RAL 5007]
Flange	PA6 light grey [similar RAL 7035]

Material resistance

The material resistance overview can be found on the website in the section “Knowledge” - “Product knowledge” - “Materials”.

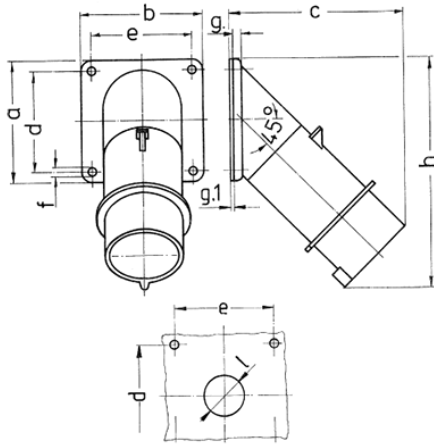
Material and environmental properties

RoHS 2011/65/EU incl. 2015/863/EU	✓
POP regulation (EU) 2019/1021	✓

Regulations and Standards

Norm	DIN EN IEC 60309-2
Declaration of Conformity	CE
Test label	EAC

Dimensional Drawing



Drawing 2 MB 39	Amp. Poles	16		32	
		5	3	4	5
Dim. in mm	a	85	85	85	85
	b	85	85	85	85
	c	122	126	126	129
	d	70	70	70	70
	e	70	70	70	70
	f	6.2	6.2	6.2	6.2
	g.	6	6	6	6
	g.1	2	2	2	2
	h	161	163	163	170
	l	30	30	30	30
Terminal for cond. cross section (mm ²) min.-max.		1 —2,5	2,5 —6	2,5 —6	2,5 —6