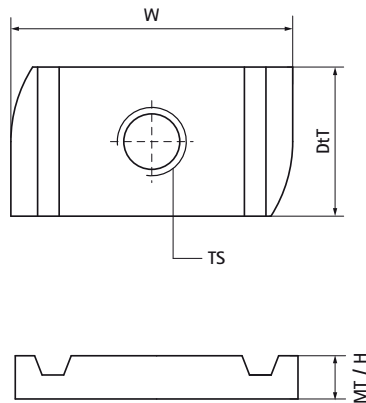


Walraven RapidStrut® Slide Nut (hdg)

(H2425)

to connect construction parts to the rail



Features & benefits

- material: slide nut made of steel 1.0332
- hot dip galvanized
- M10 and higher are tested for fire safety
- Tested values in combination with Walraven RapidStrut® Rail 41x41x2.5mm.
- More details can be found on the Technical Datasheet.

Product Number	VVS Number	For Rail Type	Thread Size	Material Thickness	Torque Moment For Installation	Maximum Allowed Load Fax	Maximum Allowed Load Faz	Total Height	Total Width	Total Depth
Reference letter			TS	MT	T inst.	F _{a,x}	F _{a,z}	H	W	Dt
Unit description				mm	Nm	N	N	mm	mm	mm
6518006	018055006	41x21, 41x41, 41x51, 41x62, 41x82	M6	5.00	7	950	2,660	5	34	19
6518008	018055008	41x21, 41x41, 41x51, 41x62, 41x82	M8	6.00	25	2,200	4,500	6	34	19
6518010	018055010	41x21, 41x41, 41x51, 41x62, 41x82	M10	8.00	40	2,550	5,000	8	34	19
6518012	018055012	41x21, 41x41, 41x51, 41x62, 41x82	M12	9.00	50	2,950	5,000	9	34	19