

Panel mounted inlet

Part number: 3611



MENNEKES
Elektrotechnik GmbH & Co. KG

Aloys-Mennekes-Straße 1
57399 Kirchhundem
GERMANY

www.MENNEKES.org

Product Description

- highly heat resistant contact carrier, nickel plated contacts
- frame terminals
- external fixing
- 8° inclination

Technical Details

| Panel mounted inlet | 3611 |
|---|---|
| Ampere | 63A |
| Number of poles | 5p |
| Clock position | 6h |
| Nominal voltage AC | 400V |
| Nominal frequency | 50 - 60 Hz |
| Protection type IP | IP67 |
| Contact carrier | highly heat resistant contact carrier, nickel plated contacts |
| Connection | frame terminals |
| Tightening torque connection terminal | PZ2, slot |
| Phase inverter | without phase inverter |
| Pilot contact | 1 pilot contact |
| Flange dimensions | 110 x 106 mm |
| Hole spacings | 80 x 90 mm |
| Insertion direction | angled |
| Inclination | 8° |
| Type of mounting | external fixing |
| Military version | no |
| Protection cap | without protection cap |
| Tightening torque connection terminal | 2 Nm |
| Recommended wire end treatment for supply cable connection terminal | usable with and without ferrule |
| Strip length conductor | 18 mm |
| Conductor cross-section min. | 6 mm ² |
| Conductor cross-section max. | 16 mm ² |
| Weight (net) | 694 g |

| | |
|-----------------------------|---------------|
| Panel mounted inlet | 3611 |
| Packaging unit | 5 Stück |
| Quantity per pallet | 270 Stück |
| EAN / identification number | 4015394230694 |

Permissible ambient conditions

| | Min. | Max. |
|-----------------------------------|--------|-------|
| Permanent ambient temperature | -25 °C | 40 °C |
| Average temperature over 24 hours | | 35 °C |

Material properties

| | |
|--------------|---|
| Front part | PC red [similar RAL 3013] |
| Bayonet ring | PC/PET squirrel grey [similar RAL 7000] |

Material resistance

The material resistance overview can be found on the website in the section “Knowledge” - “Product knowledge” - “Materials”.

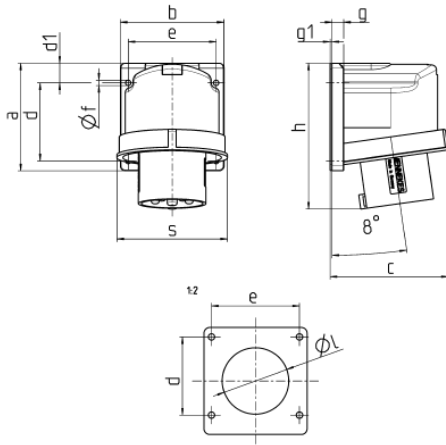
Material and enviromental properties

| | |
|-----------------------------------|---|
| RoHS 2011/65/EU incl. 2015/863/EU | ✓ |
| POP regulation (EU) 2019/1021 | ✓ |

Regulations and Standards

| | |
|---------------------------|--------------------|
| Norm | DIN EN IEC 60309-2 |
| Declaration of Conformity | CE |
| Test label | EAC |

Dimensional Drawing



| Drawing | Amp. | 63 |
|------------|-------|-----|
| 2 MB 230 | Poles | 5 |
| Dim. in mm | a | 110 |
| | b | 106 |
| | c | 121 |
| | d | 80 |
| | d1 | 20 |
| | e | 90 |
| | f | 5.5 |
| | g | 12 |
| | g1 | 2 |
| | h | 149 |
| | l | 68 |
| | s | 113 |