

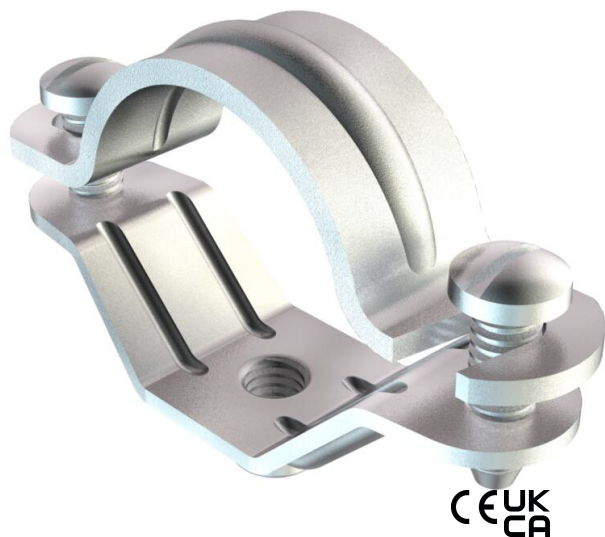
Technical data sheet

Screw-in spacer clip, universal

Item number: 1383361



With M6 thread.



St Steel

G Electrogalvanized

Master data

Item number	1383361
Type	2900 M6 43-48 G
Description 1	Distance saddle
Description 2	with threaded connection M6
Manufacturer	OBO
Dimension	43-48mm
Material	Steel
Surface	Electrogalvanized
Surface standard	EN ISO 19598 / EN ISO 4042
Smallest sales unit	20
Unit of quantity	Units
Weight	6,33 kg
Weight unit	kg/100 pairs
CO2 Footprint (GWP) Cradle-to-Gate	0,1407 kg CO2e / 1 Piece

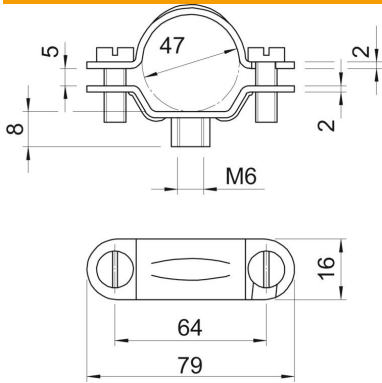
Technical data sheet

Screw-in spacer clip, universal

Item number: 1383361



Dimensions



Length	79 mm
Width	16 mm
Dimension A	79 mm
Dimension B	64 mm
Dimension b	16 mm
Dimension D	47 mm
Dimension d min.	47 mm
Dimension H	8 mm
Dimension L	79 mm
Dimension t1 (mm)	2
Dimension t2 (mm)	2
Dimension x	5 mm

Technical specifications

Version for	Closed
Fastening type	Screw hole
Size	Pg 36
Halogen-free	no
Plastic-covered	no
Hole size	M6 mm
Material thickness	2 mm
Bolt	M5 x 14
Clamping range D, max.	48 mm
Clamping range D, min.	43 mm
UV-resistant	yes