

# Wall mounted inlet

Part number: 802



**MENNEKES**  
Elektrotechnik GmbH & Co. KG

Aloys-Mennekes-Straße 1  
57399 Kirchhundem  
GERMANY

[www.MENNEKES.org](http://www.MENNEKES.org)

## Product Description

- screw connection technology
- prepared for internal fixing, external fixing
- 15° inclination
- enclosure base with stamped recess for quick cutting out
- cable entry also possible on the back side

## Technical Details

Wall mounted inlet	802
Ampere	32A
Number of poles	3p
Clock position	6h
Nominal voltage AC	230V
Nominal frequency	50 - 60 Hz
Protection type IP	IP44
Contact carrier	standard
Connection	screw terminals
Tightening torque connection terminal	PZ2, slot
Tightening torque external screws	PZ2, slot
Phase inverter	without phase inverter
Pilot contact	without pilot contact
Cable entry at the top	1 x M25x1,5
Blind cable entry at the rear	yes
Enclosure base can be turned 180°	no
Insertion direction	angled
Inclination	15°
Type of mounting	prepared for internal fixing, external fixing
Military version	no
Protection cap	without protection cap
Tightening torque connection terminal for cable cross-section 2,5 - 4,0 mm <sup>2</sup>	0.8 Nm
Tightening torque connection terminal for cable cross-section 6,0 mm <sup>2</sup>	1.2 Nm
Recommended wire end treatment for supply cable connection terminal	ferrule square gasproof crimped

<b>Wall mounted inlet</b>	<b>802</b>
Strip length conductor	12 - 17 mm
Conductor cross-section min.	2.5 mm <sup>2</sup>
Conductor cross-section max.	6 mm <sup>2</sup>
Weight (net)	240 g
Packaging unit	10 Stück
Quantity per pallet	540 Stück
EAN / identification number	4015394216124

Permissible ambient conditions		
	Min.	Max.
Permanent ambient temperature	-25 °C	40 °C
Average temperature over 24 hours		35 °C

Material properties	
Base	PA6 light grey [similar RAL 7035]
Upper part	PA6 blue [similar RAL 5007]
Front part	PA6 blue [similar RAL 5007]
External screws	galvanised steel

**Material resistance**

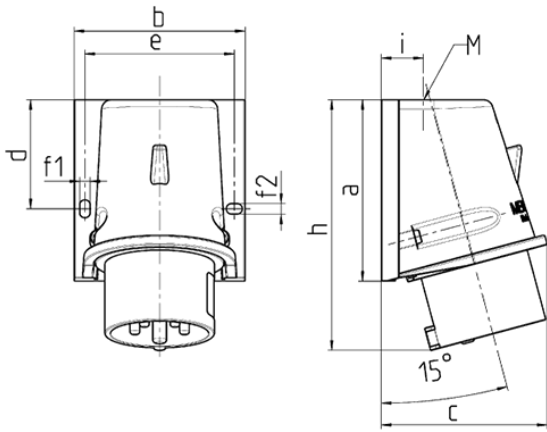
The material resistance overview can be found on the website in the section “Knowledge” - “Product knowledge” - “Materials”.

Material and enviromental properties	
RoHS 2011/65/EU incl. 2015/863/EU	✓
POP regulation (EU) 2019/1021	✓

Regulations and Standards

Norm	DIN EN IEC 60309-2
Declaration of Conformity	CE
Test label	VDE, EAC

# Dimensional Drawing



Drawing	Amp. Poles	16		32		
		4	5	3	4	5
2 MB 221						
Dim. in mm	a	92.5	92.5	102	102	102
	b	87	87	94	94	94
	c	84.5	84.5	94	94	94
	d	55.5	55.5	62	62	62
	e	76	76	84	84	84
	f1	5.3	5.3	5.3	5.3	5.3
	f2	5.3	5.3	5.3	5.3	5.3
	h	128	128	146	146	146
	i	21.5	21.5	26	26	26
	M	25x1.5	25x1.5	25x1.5	25x1.5	32x1.5