

# Wall mounted inlet

Part number: 3230



**MENNEKES**  
Elektrotechnik GmbH & Co. KG

Aloys-Mennekes-Straße 1  
57399 Kirchhundem  
GERMANY

[www.MENNEKES.org](http://www.MENNEKES.org)

## Product Description

- screw connection technology
- internal fixing
- 25° inclination
- enclosure base with stamped recess for quick cutting out
- cable entry also possible on the back side

## Technical Details

| Wall mounted inlet                    | 3230                   |
|---------------------------------------|------------------------|
| Ampere                                | 16A                    |
| Number of poles                       | 3p                     |
| Clock position                        | 1h                     |
| Nominal voltage AC                    | 50 - 500V              |
| Protection type IP                    | IP44                   |
| Contact carrier                       | standard               |
| Connection                            | screw terminals        |
| Tightening torque connection terminal | slot                   |
| Tightening torque external screws     | PZ2, slot              |
| Phase inverter                        | without phase inverter |
| Pilot contact                         | without pilot contact  |
| Cable entry at the top                | 1 x M20                |
| Cable entry at the bottom             | 1 x M20 (blind)        |
| Blind cable entry at the rear         | yes                    |
| Enclosure base can be turned 180°     | no                     |
| Insertion direction                   | angled                 |
| Inclination                           | 25°                    |
| Type of mounting                      | internal fixing        |
| Military version                      | no                     |
| Protection cap                        | without protection cap |
| Conductor cross-section min.          | 1 mm <sup>2</sup>      |
| Conductor cross-section max.          | 2.5 mm <sup>2</sup>    |
| Weight (net)                          | 150 g                  |
| Packaging unit                        | 10 Stück               |

|                             |               |
|-----------------------------|---------------|
| Wall mounted inlet          | 3230          |
| Quantity per pallet         | 880 Stück     |
| EAN / identification number | 4015394018346 |

| Permissible ambient conditions    |        |       |
|-----------------------------------|--------|-------|
|                                   | Min.   | Max.  |
| Permanent ambient temperature     | -25 °C | 40 °C |
| Average temperature over 24 hours |        | 35 °C |

| Material properties |                                   |
|---------------------|-----------------------------------|
| Base                | PA6 light grey [similar RAL 7035] |
| Upper part          | PA6 light grey [similar RAL 7035] |
| External screws     | galvanised steel                  |

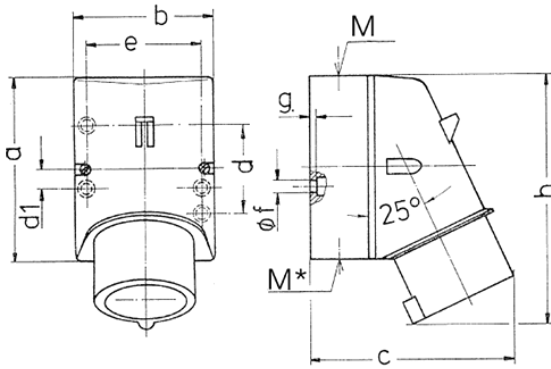
**Material resistance**

The material resistance overview can be found on the website in the section “Knowledge” - “Product knowledge” - “Materials”.

| Material and enviromental properties |   |
|--------------------------------------|---|
| RoHS 2011/65/EU incl. 2015/863/EU    | ✓ |
| POP regulation (EU) 2019/1021        | ✓ |

| Regulations and Standards |                    |
|---------------------------|--------------------|
| Norm                      | DIN EN IEC 60309-2 |
| Declaration of Conformity | CE                 |
| Test label                | EAC, CQC           |

# Dimensional Drawing



| Drawing    | Amp.<br>Poles                                    | 16                         |      |      | 32                         |       |       |
|------------|--|----------------------------|------|------|----------------------------|-------|-------|
|            |  | 3                          | 4    | 5    | 3                          | 4     | 5     |
| 2 MB 32    |  |                            |      |      |                            |       |       |
| Dim. in mm | a  | 87                         | 100  | 100  | 128                        | 128   | 128   |
|            | b  | 64                         | 75   | 75   | 84                         | 84    | 84    |
|            | c  | 93                         | 106  | 110  | 133                        | 133   | 135   |
|            | d  | 40                         | —    | —    | —                          | —     | —     |
|            | d1   | —                          | 10.5 | 10.5 | 11                         | 11    | 11    |
|            | e  | 50.5                       | 59   | 59   | 68                         | 68    | 68    |
|            | f  | 4,5                        | 5    | 5    | 5.3                        | 5.3   | 5.3   |
|            | g  | 4                          | 4    | 4    | 4                          | 4     | 4     |
|            | h  | 122                        | 133  | 135  | 169                        | 169   | 170   |
|            | M  | 20                         | 20   | 20   | 32                         | 32    | 32    |
|            | M*   | 1x20 (blind) to be cut out |      |      | 2x25 (blind) to be cut out |       |       |
|            | Max. cable diam. (mm)                            | 15                         | 15   | 15   | 18/25                      | 18/25 | 18/25 |
|            | Terminal for cond. cross section (mm²) min.-max. | 1                          | 1    | 1    | 2.5                        | 2.5   | 2.5   |
|            |  | -2.5                       | -2.5 | -2.5 | -6                         | -6    | -6    |