

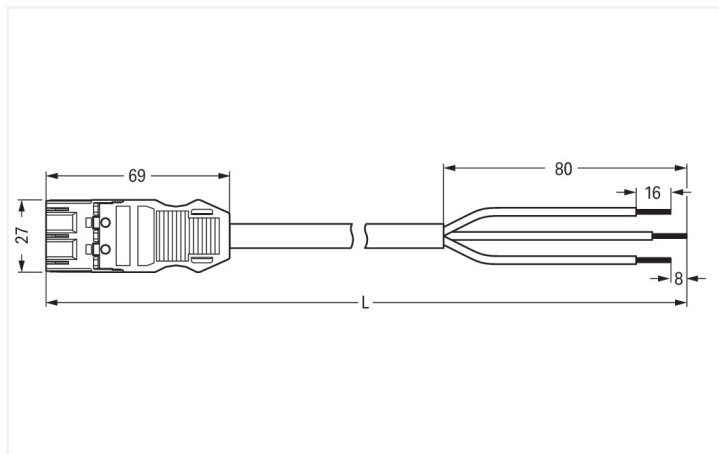
## Data Sheet | Item Number: 771-9993/3217-701

pre-assembled connecting cable; Eca; Plug/open-ended; 3-pole; Cod. A; H05Z1Z1-F 3G 2.5 mm<sup>2</sup>; 7 m; 2,50 mm<sup>2</sup>; black

<https://www.wago.com/771-9993/3217-701>



Color: ■ black



Dimensions in mm

Cable assembly *WINSTA*® MIDI rated current 20 A

Use effective pluggable connections instead of laborious screw connections: With the *WINSTA*® MIDI cable assembly rated current 20 A, WAGO pluggable installation connectors are useful when requirements repeat or are distributed on a defined grid, for example for installing grid lighting or flush-mount lighting. For greater protection in electrical installations, the pluggable installation connector is provided with mechanical protection against mismatching. The pluggable installation connector is protected against ingress by solid objects in accordance with protection type IP20 (When mated: IP2xC (These compact connectors are not designed for use in open, easily accessible areas!)). General mains applications for almost any domain of use can be realised with *WINSTA*® MIDI pluggable installation connectors with A coding. Important parameters in the selection of a pluggable installation connector are the rated current and voltage: They provide information about possible domains of use and applications. This product has a current rating of 20 A – therefore it is suitable for powerful loads. The *WINSTA*® MIDI Pluggable Connection System with Push-in CAGE CLAMP® spring pressure connection technology facilitates exemplary electrification. Thanks to the built-in test slot, it is possible to check connections even when they are plugged in. That saves time and reduces installation labor and expense. This product meets all the mandatory safety requirements of fire class E; as a result it can be used in domains where fire safety is relevant. Eliminating halogens as an additive in the manufacture of this cable assembly noticeably increases fire safety and reduces environmental contamination.

Fast, secure pluggable connections – cable assemblies from WAGO

A plug and a free end are provided. The *WINSTA*® Pluggable Connection System allows pluggable electrical installation. This saves time, lowers costs, and reduces the need for servicing. Enjoy the benefits of the pluggable version of our maintenance-free spring pressure connection technology too! Plan your installation with with strain relief hosting from WAGO.

- pluggable installation connectors with protection against mismatching
- simple circuits
- with A coding for use in a large number of general mains applications
- custom-engineered solutions
- quick replacement of defective units during ongoing operation

## Notes

Note Cables with a different fire class can be found in the eShop.

## Electrical data

| Ratings per                     | IEC/EN 60664-1 |     |    | General information        |  |
|---------------------------------|----------------|-----|----|----------------------------|--|
| Overvoltage category            | III            | III | II | Note on contact resistance | approx. 1 mΩ of contact resistance<br>approx. 0.25 mΩ contact transition plug/<br>socket |
| Pollution degree                | 3              | 2   | 2  |                            |  |
| Nominal voltage                 | 250 V          | -   | -  |                            |  |
| Rated impulse withstand voltage | 4 kV           | -   | -  |                            |  |
| Rated current                   | 20 A           | -   | -  |                            |  |

## Connection Data

|                            |                           |                                 |                     |
|----------------------------|---------------------------|---------------------------------|---------------------|
| Total number of potentials | 3                         | <b>Connection 1</b>             |                     |
| PE function                | Preceding PE contact      | Strip length                    | 16 mm / 0.63 inches |
| Conductor preparation      | ultrasonically tip-bonded | Pole number                     | 3                   |
|                            |                           | Wire cross-section              | 2.5 mm <sup>2</sup> |
|                            |                           | Strip length (outer insulation) | 80 mm               |
|                            |                           | Connection type                 | Plug - free end     |

## Physical data

|              |                        |
|--------------|------------------------|
| Pin spacing  | 10 mm / 0.394 inches   |
| Width        | 27 mm / 1.063 inches   |
| Height       | 12.9 mm / 0.508 inches |
| Total length | 7 m                    |

## Mechanical data

|   |   |
|---|---|
| Use                                     | General mains applications  |
| Coding                                  | A   |
| Variable coding                         | Yes   |
| Marking                                 | L ⊕ N   |
| Potential marking                       | L ⊕ N   |
| Mating force of a plug-in connection    | approx. 20 ... 70 N (depending on pole number)  |
| Retention force of a plug-in connection | when locked: > 80N  |
| Unmating force of a plug-in connection  | when unlocked: approx. 20 ... 70 N (depending on pole number)   |
| Number of mating cycles                 | 200, without resistive load   |
| Connection type                         | Plug - free end   |
| Type of pre-assembled cable             | Connecting cable  |
| Cable type                              | H05Z1Z1-F 3G2.5   |
| Protection type                         | IP20; When mated: IP2xC (These compact connectors are not designed for use in open, easily accessible areas!) |
| Suitable                                | for switches and outlet installation  |

### Plug-in connection

|                               |  |
|-------------------------------|--|
| Mismating protection          | Yes  |
| Note on mismating protection  | All WINSTA® components are 100% protected against mismating when:<br>a.) plugging different numbers of poles<br>b.) plugging while rotated 180<br>c.) plugging while laterally staggered<br>d.) plugging one pole  |
| Locking lever                 | Can be retrofitted   |
| Locking of plug-in connection | Locking lever  |
| Note on locking system        | All connectors for mounted installations (snap-in versions for lighting fixtures or devices, all types of PCB and distribution connectors) are factory-equipped with locking levers to ensure plugs and sockets are securely locked. Additional locking levers are only required for flying leads (plug/socket). |

### Material data

|                                    |  |
|------------------------------------|--|
| Note (material data)               | <a href="#">Information on material specifications can be found here</a> |
| Color                              | black  |
| Insulation material (main housing) | Polyamide (PA66)   |
| Fire class per EN 50575            | E <sub>ca</sub>  |
| Contact material                   | Copper or copper alloy; surface-treated                                  |
| Contact Plating                    | Tin  |
| Fire load                          | 209.749 MJ   |
| Connector color                    | black  |
| Strain relief color                | black  |
| Printing color of strain relief    | white  |
| Sheathed cable color               | black  |
| Printing color of sheathed cable   | white  |
| Halogen-free                       | Yes  |
| Silicon-free                       | Yes  |
| Sheath material                    | Halogen-free   |
| Rubber cable                       | No   |
| Weight                             | 1045.8 g   |
| Copper weight of the raw cable     | 0.072 kg/m   |

### Environmental requirements

|  |   |
|--|---|
| Processing temperature                   | -5 ... +40 °C   |
| Continuous operating temperature         | -35 ... +85 °C  |
| Note on continuous operating temperature | Cable for temperatures ≤ 70 °C (including halogen-free)<br>Insulating parts for temperatures ≤ 105 °C |

### Commercial data

|                       |               |
|-----------------------|---------------|
| PU (SPU)              | 1 pcs         |
| Packaging type        | unpacked      |
| Country of origin     | DE            |
| GTIN                  | 4045454918293 |
| Customs tariff number | 85444290900   |

**Product Classification**

|             |                      |
|-------------|----------------------|
| UNSPSC      | 26121629             |
| eCl@ss 10.0 | 27-44-06-04          |
| eCl@ss 9.0  | 27-44-06-04          |
| ETIM 9.0    | EC002587             |
| ETIM 10.0   | EC002587             |
| ECCN        | NO US CLASSIFICATION |

**Environmental Product Compliance**

|                        |                         |
|------------------------|-------------------------|
| RoHS Compliance Status | Compliant, No Exemption |
|------------------------|-------------------------|

**Approvals / Certificates**

| General approvals                     |          |                  | Declarations of conformity and manufacturer's declarations |          |                  |
|---------------------------------------|----------|------------------|--|----------|------------------|
|                                       |          |                  |  |          |                  |
| Approval                              | Standard | Certificate Name | Approval   | Standard | Certificate Name |
| CCA<br>DEKRA Certification B.V.       | EN 61535 | NTR NL-7972      | EU-Declaration of Conformity<br>WAGO GmbH & Co. KG         | -        | -                |
| KEMA/KEUR<br>DEKRA Certification B.V. | EN 61535 | 71-123834        | UK-Declaration of Conformity<br>WAGO GmbH & Co. KG         | -        | -                |

**Downloads**

**Environmental Product Compliance**

| Compliance Search                                     |                   |
|---|-------------------|
| Environmental Product Compliance<br>771-9993/3217-701 | <a href="#">↓</a> |

**Documentation**

| Bid Text          |            |                 |                   |
|-------------------|------------|-----------------|-------------------|
| 771-9993/3217-701 | 19.02.2019 | xml<br>3.09 KB  | <a href="#">↓</a> |
| 771-9993/3217-701 | 05.12.2014 | doc<br>26.00 KB | <a href="#">↓</a> |

**CAD/CAE-Data**

| CAE data                               |                   |
|--|-------------------|
| EPLAN Data Portal<br>771-9993/3217-701 | <a href="#">↓</a> |
| WSCAD Universe<br>771-9993/3217-701    | <a href="#">↓</a> |

## 1 Compatible Products

### 1.1 Required Accessories

#### 1.1.1 Locking system

##### 1.1.1.1 Locking system



**Item No.: 770-101**

Locking lever; for flying leads; for manual operation; black

**Item No.: 770-121**

Locking lever; for flying leads; for manual operation; white

**Item No.: 770-111**

Locking lever; for flying leads; for tool operation; black

**Item No.: 770-131**

Locking lever; for flying leads; for tool operation; white

### 1.2 Optional Accessories

#### 1.2.1 Cover

##### 1.2.1.1 Cover



**Item No.: 770-360**

Lockout cap; for plugs; 5-pole; separable; yellow

**Item No.: 897-2003**

Protective cap; Type2; for sockets and plugs; PVC; red

#### 1.2.2 Installation

##### 1.2.2.1 Mounting accessories



**Item No.: 770-310**

Mounting carrier; 2- to 5-pole; for flying leads; black

#### 1.2.3 Marking

##### 1.2.3.1 Marker



**Item No.: 770-450/000-006**

Marker card; Plastic; blue

**Item No.: 770-450/000-001**

Marker card; Plastic; green

**Item No.: 770-450/000-012**

Marker card; Plastic; orange

**Item No.: 770-450/000-005**

Marker card; Plastic; red



**Item No.: 770-450**

Marker card; Plastic; white

**Item No.: 770-450/000-002**

Marker card; Plastic; yellow

##### 1.2.3.2 Marking strip



**Item No.: 210-334**

Marking strips; as a DIN A4 sheet; Strip width 5 mm; Strip length 182 mm; plain; Self-adhesive; white