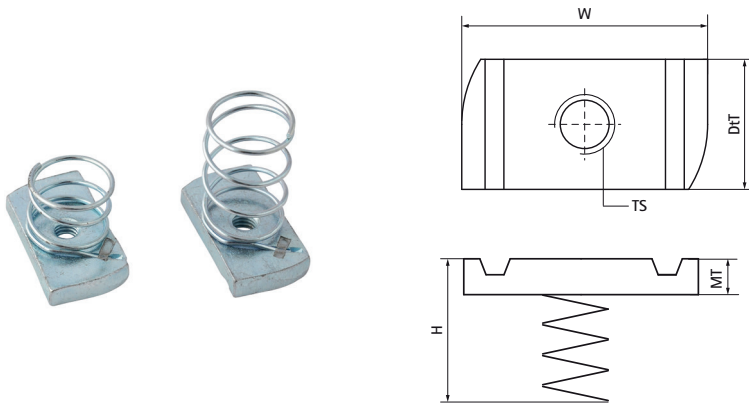


Walraven RapidStrut® Slide Nut With Spring (hdg)

(H2426)

to connect construction parts to the rail



Features & benefits

- material: slide nut made of steel 1.0332; spring made of spring steel DIN17223 (class A)
- hot dip galvanized
- M10 and higher are tested for fire safety
- Tested values in combination with Walraven RapidStrut® Rail 41x41x2.5mm.
- More details can be found on the Technical Datasheet.

Product Number	VVS Number	For Rail Type	Thread Size	Material Thickness	Torque Moment For Installation	Maximum Allowed Load Fax	Maximum Allowed Load Faz	Total Height	Total Width	Total Depth
Reference letter			TS	MT	T inst.	Fa,x	Fa,z	H	W	DtT
Unit description				mm	Nm	N	N	mm	mm	mm
6518106	018055106	41x21	M6	5.00	7	950	2,660	18	34	19
6518108	018055108	41x21	M8	6.00	25	2,200	4,500	19	34	19
6518110	018055110	41x21	M10	8.00	40	2,550	5,000	21	34	19
6518112	018055112	41x21	M12	10.00	50	2,950	5,000	22	34	19
6518206	018055206	41x41	M6	5.00	7	950	2,660	38	34	19
6518208	018055208	41x41	M8	6.00	25	2,200	4,500	39	34	19
6518210	018055210	41x41	M10	8.00	40	2,550	5,000	41	34	19
6518212	018055212	41x41	M12	10.00	50	2,950	5,000	42	34	19