

Surface mounted inlet

Part number: 432



MENNEKES
Elektrotechnik GmbH & Co. KG

Aloys-Mennekes-Straße 1
57399 Kirchhundem
GERMANY

www.MENNEKES.org

Product Description

- screw connection technology
- external fixing
- 45° inclination

Technical Details

| Surface mounted inlet | 432 |
|---|---------------------------------|
| Ampere | 16A |
| Number of poles | 5p |
| Clock position | 6h |
| Nominal voltage AC | 400V |
| Nominal frequency | 50 - 60 Hz |
| Protection type IP | IP44 |
| Contact carrier | standard |
| Connection | screw terminals |
| Tightening torque connection terminal | PZ2, slot |
| Phase inverter | without phase inverter |
| Pilot contact | without pilot contact |
| Flange dimensions | 85 x 85 mm |
| Hole spacings | 70 x 70 mm |
| Insertion direction | angled |
| Inclination | 45° |
| Type of mounting | external fixing |
| Military version | no |
| Protection cap | without protection cap |
| Tightening torque connection terminal for cable cross-section 1,0 - 1,5 mm ² | 0.6 Nm |
| Tightening torque connection terminal for cable cross-section 2,5 - 4,0 mm ² | 0.8 Nm |
| Recommended wire end treatment for supply cable connection terminal | ferrule square gasproof crimped |
| Strip length conductor | 8 - 10 mm |
| Conductor cross-section min. | 1 mm ² |
| Conductor cross-section max. | 2.5 mm ² |

| | |
|-----------------------------|---------------|
| Surface mounted inlet | 432 |
| Weight (net) | 227 g |
| Packaging unit | 10 Stück |
| Quantity per pallet | 880 Stück |
| EAN / identification number | 4015394003069 |

Permissible ambient conditions

| | Min. | Max. |
|-----------------------------------|--------|-------|
| Permanent ambient temperature | -25 °C | 40 °C |
| Average temperature over 24 hours | | 35 °C |

Material properties

| | |
|---------|-----------------------------------|
| Housing | PA6 red [similar RAL 3013] |
| Flange | PA6 light grey [similar RAL 7035] |

Material resistance

The material resistance overview can be found on the website in the section “Knowledge” - “Product knowledge” - “Materials”.

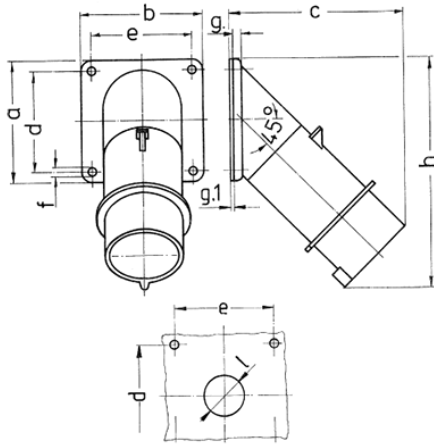
Material and environmental properties

| | |
|-----------------------------------|---|
| RoHS 2011/65/EU incl. 2015/863/EU | ✓ |
| POP regulation (EU) 2019/1021 | ✓ |

Regulations and Standards

| | |
|---------------------------|--------------------|
| Norm | DIN EN IEC 60309-2 |
| Declaration of Conformity | CE |
| Test label | VDE, EAC |

Dimensional Drawing



| Drawing | Amp. Poles | 16 | | 32 | |
|---|---------------|-----------|-----------|-----------|-----------|
| | | 5 | 3 | 4 | 5 |
| 2 MB 39 | | | | | |
| Dim. in mm | a | 85 | 85 | 85 | 85 |
| | b | 85 | 85 | 85 | 85 |
| | c | 122 | 126 | 126 | 129 |
| | d | 70 | 70 | 70 | 70 |
| | e | 70 | 70 | 70 | 70 |
| | f | 6.2 | 6.2 | 6.2 | 6.2 |
| | g. | 6 | 6 | 6 | 6 |
| | g.1 | 2 | 2 | 2 | 2 |
| | h | 161 | 163 | 163 | 170 |
| | l | 30 | 30 | 30 | 30 |
| Terminal for cond. cross section (mm ²) min.-max. | | 1 -2,5 | 2.5 -6 | 2.5 -6 | 2.5 -6 |