

# Programming adapter, KNX®

360-39001



This programming adapter allows you to provide the KNX® wireless and battery-free dimmer switch (360-31001) with energy during commissioning. Connect the programming adapter to the KNX® dimmer switch and configure the functions of the buttons using the ETS software that is available on the KNX® Association website. The adapter requires two AAA batteries (not included).

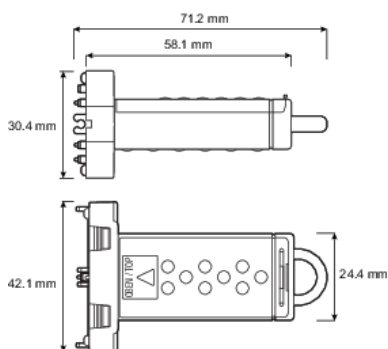


## Technical data

Programming adapter, KNX®

- Wireless communication protocol: KNX®-RF
- Protection degree standalone: IP20
- Dimensions (HxWxD): 30.4 mm x 71.2 mm x 42.1 mm
- Marking: CE

## Dimensions



## Wiring diagram

