

Wall mounted inlet

Part number: 800



MENNEKES
Elektrotechnik GmbH & Co. KG

Aloys-Mennekes-Straße 1
57399 Kirchhundem
GERMANY

www.MENNEKES.org

Product Description

- screw connection technology
- prepared for internal fixing, external fixing
- 15° inclination
- enclosure base with stamped recess for quick cutting out
- cable entry also possible on the back side

Technical Details

Wall mounted inlet	800
Ampere	16A
Number of poles	4p
Clock position	6h
Nominal voltage AC	400V
Nominal frequency	50 - 60 Hz
Protection type IP	IP44
Contact carrier	standard
Connection	screw terminals
Tightening torque connection terminal	PZ2, slot
Tightening torque external screws	PZ2, slot
Phase inverter	without phase inverter
Pilot contact	without pilot contact
Cable entry at the top	1 x M25x1,5
Blind cable entry at the rear	yes
Enclosure base can be turned 180°	no
Insertion direction	angled
Inclination	15°
Type of mounting	prepared for internal fixing, external fixing
Military version	no
Protection cap	without protection cap
Tightening torque connection terminal for cable cross-section 1,0 - 1,5 mm ²	0.6 Nm
Tightening torque connection terminal for cable cross-section 2,5 - 4,0 mm ²	0.8 Nm
Recommended wire end treatment for supply cable connection terminal	ferrule square gasproof crimped

Wall mounted inlet	800
Strip length conductor	8 - 10 mm
Conductor cross-section min.	1 mm ²
Conductor cross-section max.	2.5 mm ²
Weight (net)	201 g
Packaging unit	10 Stück
Quantity per pallet	660 Stück
EAN / identification number	4015394202400

Permissible ambient conditions		
	Min.	Max.
Permanent ambient temperature	-25 °C	40 °C
Average temperature over 24 hours		35 °C

Material properties	
Base	PA6 light grey [similar RAL 7035]
Upper part	PA6 red [similar RAL 3013]
Front part	PA6 red [similar RAL 3013]
External screws	galvanised steel

Material resistance

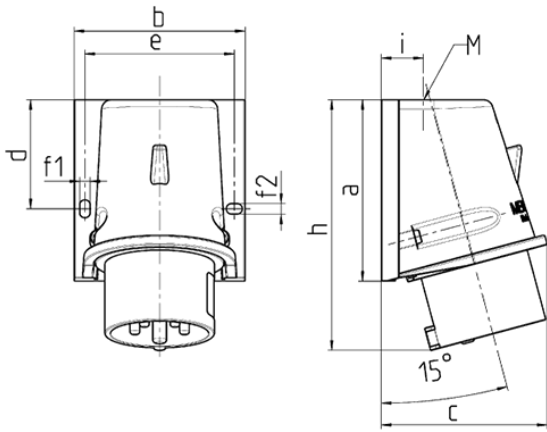
The material resistance overview can be found on the website in the section “Knowledge” - “Product knowledge” - “Materials”.

Material and enviromental properties	
RoHS 2011/65/EU incl. 2015/863/EU	✓
POP regulation (EU) 2019/1021	✓

Regulations and Standards

Norm	DIN EN IEC 60309-2
Declaration of Conformity	CE
Test label	VDE, EAC

Dimensional Drawing



Drawing	Amp. Poles	16		32		
		4	5	3	4	5
2 MB 221						
Dim. in mm	a	92.5	92.5	102	102	102
	b	87	87	94	94	94
	c	84.5	84.5	94	94	94
	d	55.5	55.5	62	62	62
	e	76	76	84	84	84
	f1	5.3	5.3	5.3	5.3	5.3
	f2	5.3	5.3	5.3	5.3	5.3
	h	128	128	146	146	146
	i	21.5	21.5	26	26	26
	M	25x1.5	25x1.5	25x1.5	25x1.5	32x1.5