

Panel mounted inlet RAPIDO

Part number: 945



MENNEKES
Elektrotechnik GmbH & Co. KG

Aloys-Mennekes-Straße 1
57399 Kirchhundem
GERMANY

www.MENNEKES.org

Product Description

- screw connection technology
- central fixing
- a retaining nose to hold the hinged lid of the connector must be provided by the customer in order to ensure satisfactory locking

Technical Details

Panel mounted inlet RAPIDO	945
Product serie	RAPIDO
Ampere	32A
Number of poles	5p
Clock position	6h
Nominal voltage AC	400V
Nominal frequency	50 - 60 Hz
Protection type IP	IP44
Contact carrier	standard
Connection	screw terminals
Tightening torque connection terminal	PZ2, slot
Phase inverter	without phase inverter
Pilot contact	without pilot contact
Insertion direction	straight
Type of mounting	central fixing
Military version	no
Protection cap	without protection cap
Tightening torque connection terminal for cable cross-section 2,5 - 4,0 mm ²	0.8 Nm
Tightening torque connection terminal for cable cross-section 6,0 mm ²	1.2 Nm
Recommended wire end treatment for supply cable connection terminal	ferrule square gasproof crimped
Strip length conductor	12 - 17 mm
Conductor cross-section min.	2.5 mm ²
Conductor cross-section max.	10 mm ²
Weight (net)	123 g

Panel mounted inlet RAPIDO	945
Packaging unit	10 Stück
Quantity per pallet	540 Stück
EAN / identification number	4015394206224

Permissible ambient conditions

	Min.	Max.
Permanent ambient temperature	-25 °C	40 °C
Average temperature over 24 hours		35 °C

Material properties

Front part	PA6 red [similar RAL 3013]
------------	----------------------------

Material resistance

The material resistance overview can be found on the website in the section “Knowledge” - “Product knowledge” - “Materials”.

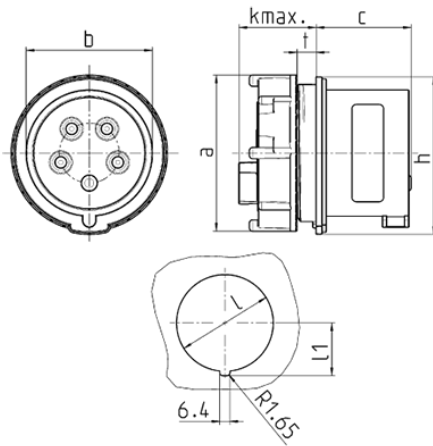
Material and environmental properties

RoHS 2011/65/EU incl. 2015/863/EU	✓
POP regulation (EU) 2019/1021	✓

Regulations and Standards

Norm	DIN EN IEC 60309-2
Declaration of Conformity	CE
Test label	VDE (ÜG), EAC

Dimensional Drawing



Drawing	Amp. Poles	16		32		
		4	5	3	4	5
2 MB 215						
Dim. in mm	a	78	78	78	78	78
	b	50	56	58	58	64
	c	45	44	51	51	51
	k max.	33	33	33	33	33
	h	82	82	82	82	82
	l	70	70	70	70	70
	l1	37.75	37.75	37.75	37.75	37.75
	t	wall thicknesses 2-9mm		wall thicknesses 2-9mm		
Terminal for cond. cross section (mm ²) min.-max.		1.5	1.5	2.5	2.5	2.5
		-4	-4	-10	-10	-10