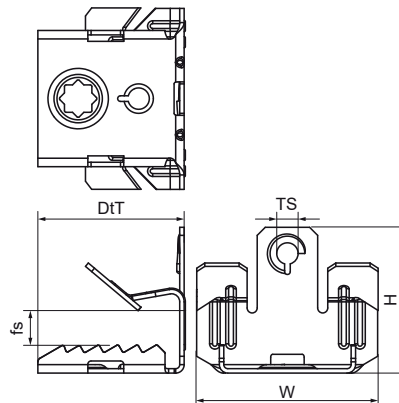
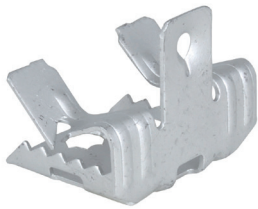


Walraven Britclips® FU

(J1005)

for flange



Features & benefits

- for a solid fixing under flanges without welding or drilling
- suitable for horizontal and vertical flanges
- with female thread M6
- material: spring steel (type CS70)
- surface treatment: Delta-Tone 9000 (480 hours)

Product Number	Thread Size	Total Height	Total Width	Total Depth	Maximum Allowed Load Faz
<i>Reference letter</i>	<i>TS</i>	<i>H</i>	<i>W</i>	<i>DtT</i>	<i>Fa,z</i>
<i>Unit description</i>		<i>mm</i>	<i>mm</i>	<i>mm</i>	<i>N</i>
51420607	M6	23	45	37.5	450
51420613	M6	28	45	37.5	450
51420620	M6	44	45	37.5	450
51420663	M6	28	45	37.5	450