



Features

- Integrated LED recessed spotlight, vertical tilt 30°, phase dimmable, 3 CCT 2700K-3000K-4000K, 38° degree beam angle, polycarbonate white body, IP44 from the front, IK03, loop-in/loop-out terminals for fast wiring, 87mm bezel diameter, 68-74mm cutout, clear lens. Additional silver or black bezel can be ordered as accessory.

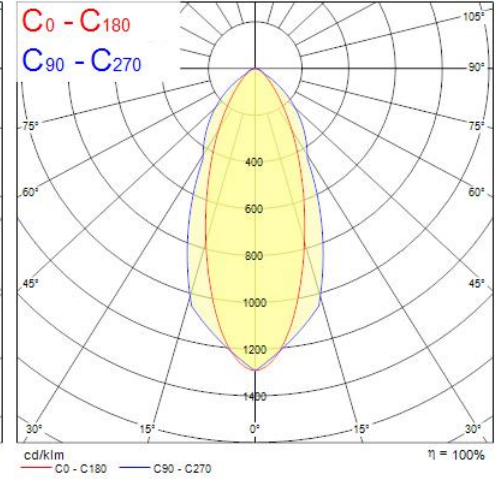
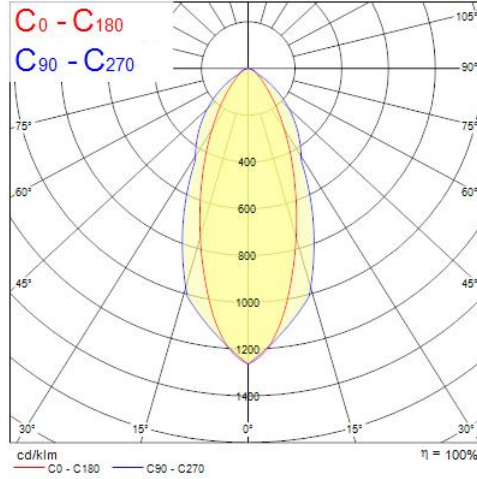
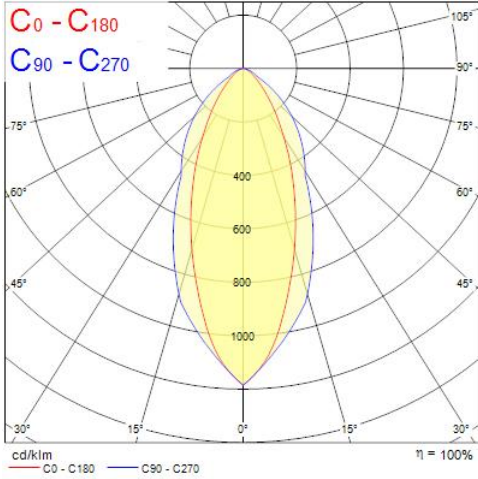
Product Overview

Product name	Start Spot 550lm 3CCT DIM IP44 WH
Technology	LED
Cap/Base	N/A
Housing	PC Polycarbonate
Mount	Ceiling recessed mounting
E-number FI	4278483
Fixture luminous flux (lm)	550
Luminaire efficacy (lm/W)	100
Light colour	Neutral White
CRI (Ra)	80
Colour Variation Initial (SDCM)	6
Photobiological Risk Group	RG1
Total power consumption (W)	5.5
Electrical protection	Class II
Control gear type	LED driver constant current
LED Flickering Rate	Low (6% - 20%)
Housing colour	RAL9003
IP rating	IP44/20
IK rating	IK03
Product EAN number	5410288055091

Warranty

3 years

Photometry



Distance [m]	Cone diameter [m]	Beam 1 (C0-C180)	Beam 2 (C90-C270)	E _v (0°) [lm]	E _v (C90) [lm]	E _v (C0) [lm]
0.5	0.48 0.35	2574	948	2574	25.6°	19.3°
1.0	0.96 0.70	644	236	644	25.6°	19.3°
1.5	1.44 1.05	286	105	286	25.6°	19.3°
2.0	1.92 1.40	151	59	151	25.6°	19.3°
2.5	2.40 1.75	103	38	103	25.6°	19.3°
3.0	2.87 2.10	72	26	72	25.6°	19.3°

Distance [m] Cone diameter [m] Illuminance [lx]

— C0 - C180 (Half beam angle: 38.6°)
— C90 - C270 (Half beam angle: 51.2°)

Distance [m]	Cone diameter [m]	Beam 1 (C0-C180)	Beam 2 (C90-C270)	E _v (0°) [lm]	E _v (C90) [lm]	E _v (C0) [lm]
0.5	0.47 0.34	2630	964	2630	25.0°	19.0°
1.0	0.93 0.69	646	241	646	25.0°	19.0°
1.5	1.40 1.03	287	107	287	25.0°	19.0°
2.0	1.87 1.38	151	60	151	25.0°	19.0°
2.5	2.33 1.72	103	39	103	25.0°	19.0°
3.0	2.80 2.07	72	27	72	25.0°	19.0°

Distance [m] Cone diameter [m] Illuminance [lx]

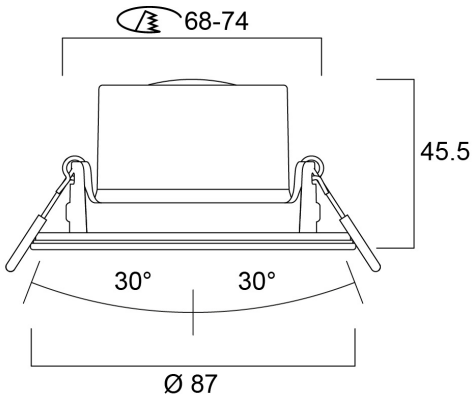
— C0 - C180 (Half beam angle: 38.0°)
— C90 - C270 (Half beam angle: 50.2°)

Distance [m]	Cone diameter [m]	Beam 1 (C0-C180)	Beam 2 (C90-C270)	E _v (0°) [lm]	E _v (C90) [lm]	E _v (C0) [lm]
0.5	0.47 0.34	2756	1027	2756	25.1°	19.0°
1.0	0.94 0.69	689	257	689	25.1°	19.0°
1.5	1.41 1.03	306	114	306	25.1°	19.0°
2.0	1.87 1.38	172	64	172	25.1°	19.0°
2.5	2.34 1.72	110	41	110	25.1°	19.0°
3.0	2.81 2.07	77	29	77	25.1°	19.0°

Distance [m] Cone diameter [m] Illuminance [lx]

— C0 - C180 (Half beam angle: 38.0°)
— C90 - C270 (Half beam angle: 50.2°)

Technical drawings



Data table

GENERAL DATA

Product name	Start Spot 550lm 3CCT DIM IP44 WH
Technology	LED
Cap/Base	N/A
Housing	PC Polycarbonate
Mount	Ceiling recessed mounting
Operating temperature range (°C)	-10°C...+40°C
Performance ambient temperature Tq (°C)	25
E-number FI	4278483
Warranty	3 years

OPTICAL DATA

Fixture luminous flux (lm)	550
Luminaire efficacy (lm/W)	100
Correlated colour temperature range (K)	2700 - 4000
Light colour	Neutral White

Start Spot 550lm 3CCT DIM IP44 WH 0005509

CRI (Ra)	80
Colour Variation Initial (SDCM)	6
Photobiological Risk Group	RG1

ELECTRICAL DATA

Total power consumption (W)	5.5
Primary Supply/Product voltage - min (V)	220
Lamp power factor	0.6
Electrical protection	Class II
Control gear required	No
Control gear type	LED driver constant current
Drive current (mA)	17
Inrush Current (A)	5.5
Inrush Duration (μ s)	100
Glow Wire Test ($^{\circ}$ C)	650
Energy Efficiency Class (A->G) of contained light source	E
Nominal Frequency (Hz)	50/60Hz
LED Flickering Rate	Low (6% - 20%)
Max. products per 10A C Breaker	132
Connectable conductor cross section - Min (mm ²)	0.75
Connectable conductor cross section - Max (mm ²)	1.5

LIFETIME DATA

Lifespan L70 B50	57000
Lifespan L80 B20	34000
Lifespan L80 B10	33000

PHYSICAL DATA

Housing colour	RAL9003
IP rating	IP44/20
IK rating	IK03

Start Spot 550lm 3CCT DIM IP44 WH 0005509

Diffuser finish	Other
Diffuser material	None
Nominal Product Diameter (mm)	87
Weight (kg)	0.07

PACKAGING

Single packaging type	Carton
Product EAN number	5410288055091
Packaging single width (cm)	6.0
Packaging single depth (cm)	9.0
DUN14 (inner)	25410288055095
Units per inner package	6
Packaging inner length / height (cm)	28.5
Packaging inner width (cm)	7.5
Packaging inner depth (cm)	19.0
DUN14 (outer)	15410288055098
Packaging outer length / height (cm)	32.0

SAFETY DATA

Optimal operating condition (°C)	-10-40
Special purpose lamp	No
Dry applications use only	No
Suitable for household illumination	No