

# Wall mounted inlet

Part number: 1978



**MENNEKES**  
Elektrotechnik GmbH & Co. KG

Aloys-Mennekes-Straße 1  
57399 Kirchhundem  
GERMANY

[www.MENNEKES.org](http://www.MENNEKES.org)

## Product Description

- screw connection technology
- external fixing
- 15° inclination
- with protective cap attached by a strap
- enclosure base with stamped recess for quick cutting out
- cable entry also possible on the back side

## Technical Details

Wall mounted inlet	1978
Ampere	32A
Number of poles	3p
Clock position	4h
Nominal voltage AC	20 - 25V, 40 - 50V
Nominal frequency	100 - 200 Hz
Protection type IP	IP44
Contact carrier	standard
Connection	screw terminals
Tightening torque connection terminal	PZ2, slot
Tightening torque external screws	PZ2, slot
Phase inverter	without phase inverter
Pilot contact	without pilot contact
Cable entry at the top	1 x M25
Blind cable entry at the rear	yes
Enclosure base can be turned 180°	no
Insertion direction	angled
Inclination	15°
Type of mounting	external fixing
Military version	no
Protection cap	with protection cap
Conductor cross-section min.	4 mm <sup>2</sup>
Conductor cross-section max.	10 mm <sup>2</sup>
Weight (net)	166 g
Packaging unit	10 Stück

Wall mounted inlet	1978
Quantity per pallet	880 Stück
EAN / identification number	4015394012986

Permissible ambient conditions		
	Min.	Max.
Permanent ambient temperature	-25 °C	40 °C
Average temperature over 24 hours		35 °C

Material properties	
Base	PC/PET light grey [similar RAL 7035]
Upper part	PC/PET light grey [similar RAL 7035]
Front part	PA6 green [similar RAL 6010]
Protective cap	PC/PET light grey [similar RAL 7035]
External screws	galvanised steel

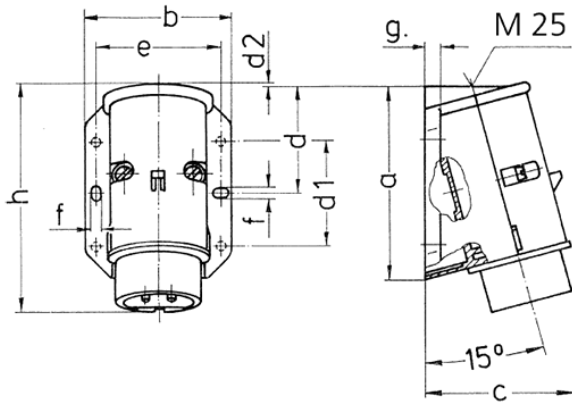
**Material resistance**

The material resistance overview can be found on the website in the section “Knowledge” - “Product knowledge” - “Materials”.

Material and environmental properties	
RoHS 2011/65/EU incl. 2015/863/EU	✓
POP regulation (EU) 2019/1021	✓

Regulations and Standards	
Norm	DIN EN IEC 60309-2
Declaration of Conformity	CE
Test label	EAC, CQC

# Dimensional Drawing



Drawing	Amp. Poles	16		32	
		2	3	2	3
2 MB 160					
Dim. in mm	a	96	96	96	96
	b	73	73	73	73
	c	74	74	74	74
	d	53	53	53	53
	d1	52	52	52	52
	d2	2	2	2	2
	e	62	62	62	62
	f	5.3	5.3	5.3	5.3
	g.	8	8	8	8
	h	116	116	116	116
Terminal for cond. cross section (mm <sup>2</sup> ) min.-max.		4	4	4	4
		-10	-10	-10	-10