

Surface mounted inlet

Part number: 749



MENNEKES
Elektrotechnik GmbH & Co. KG

Aloys-Mennekes-Straße 1
57399 Kirchhundem
GERMANY

www.MENNEKES.org

Product Description

- screw connection technology
- highly heat resistant contact carrier, nickel plated contacts
- external fixing
- 10° inclination

Technical Details

Surface mounted inlet	749
Ampere	16A
Number of poles	7p
Clock position	9h
Nominal voltage AC	230V
Nominal frequency	50 - 60 Hz
Protection type IP	IP44
Contact carrier	highly heat resistant contact carrier, nickel plated contacts
Connection	screw terminals
Tightening torque connection terminal	PZ2, slot
Phase inverter	without phase inverter
Pilot contact	without pilot contact
Flange dimensions	85 x 85 mm
Hole spacings	64 x 64 mm
Insertion direction	angled
Inclination	10°
Type of mounting	external fixing
Military version	no
Protection cap	without protection cap
Tightening torque connection terminal for cable cross-section 1,0 - 1,5 mm ²	0.6 Nm
Tightening torque connection terminal for cable cross-section 2,5 - 4,0 mm ²	0.8 Nm
Recommended wire end treatment for supply cable connection terminal	ferrule square gasproof crimped
Strip length conductor	8 - 10 mm
Conductor cross-section min.	1 mm ²

Surface mounted inlet	749
Conductor cross-section max.	2.5 mm ²
Weight (net)	204 g
Packaging unit	10 Stück
Quantity per pallet	880 Stück
EAN / identification number	4015394005766

Permissible ambient conditions	Min.	Max.
	Permanent ambient temperature	-25 °C
Average temperature over 24 hours		35 °C

Material properties	
Housing	PA6 blue [similar RAL 5007]

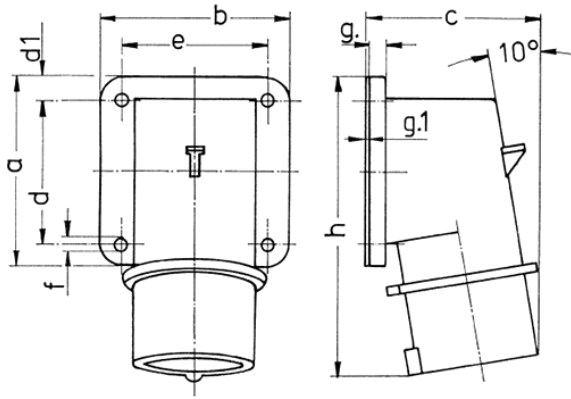
Material resistance

The material resistance overview can be found on the website in the section “Knowledge” - “Product knowledge” - “Materials”.

Material and environmental properties	
RoHS 2011/65/EU incl. 2015/863/EU	✓
POP regulation (EU) 2019/1021	✓

Regulations and Standards	
Norm	DIN EN IEC 60309-2
Declaration of Conformity	CE
Test label	EAC, CQC

Dimensional Drawing



Drawing	Amp.	16	32
2 MB 71	Poles	7	7
Dim. in mm	a	85	75
	b	85	90
	c	79	90
	d	64	45
	d1	10	13
	e	64	78
	f	5.5	5.5
	g.	6	6
	g.1	2	2
	h	129	138
Terminal for cond. cross section (mm ²) min.-max.		1 -2.5	2.5 -6