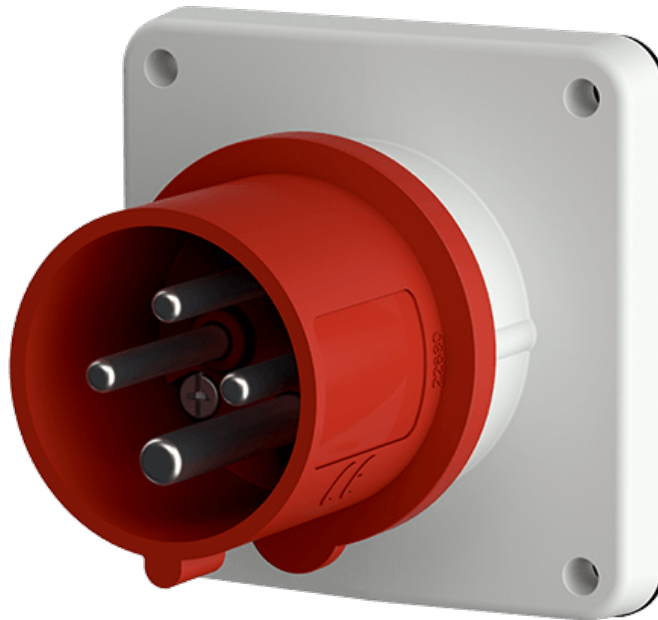


Panel mounted inlet

Part number: 819



MENNEKES
Elektrotechnik GmbH & Co. KG

Aloys-Mennekes-Straße 1
57399 Kirchhundem
GERMANY

www.MENNEKES.org

Product Description

- screw connection technology
- nickel plated contacts
- external fixing
- a retaining nose to hold the hinged lid of the connector must be provided by the customer in order to ensure satisfactory locking

Technical Details

| Panel mounted inlet | 819 |
|---------------------------------------|------------------------|
| Ampere | 32A |
| Number of poles | 4p |
| Clock position | 6h |
| Nominal voltage AC | 400V |
| Nominal frequency | 50 - 60 Hz |
| Protection type IP | IP44 |
| Contact carrier | nickel plated contacts |
| Connection | screw terminals |
| Tightening torque connection terminal | PZ2, slot |
| Phase inverter | without phase inverter |
| Pilot contact | without pilot contact |
| Flange dimensions | 85.7 x 85.7 mm |
| Hole spacings | 69.5 x 69.5 mm |
| Insertion direction | straight |
| Type of mounting | external fixing |
| Military version | no |
| Protection cap | without protection cap |
| Conductor cross-section min. | 2.5 mm ² |
| Conductor cross-section max. | 10 mm ² |
| Weight (net) | 214 g |
| Packaging unit | 10 Stück |
| Quantity per pallet | 880 Stück |
| EAN / identification number | 4015394116776 |

Permissible ambient conditions

| | Min. | Max. |
|-----------------------------------|--------|-------|
| Permanent ambient temperature | -25 °C | 40 °C |
| Average temperature over 24 hours | | 35 °C |

Material properties

| | |
|------------|----------------------------------|
| Front part | PA6 red [similar RAL 3013] |
| Flange | PC light grey [similar RAL 7035] |

Material resistance

The material resistance overview can be found on the website in the section “Knowledge” - “Product knowledge” - “Materials”.

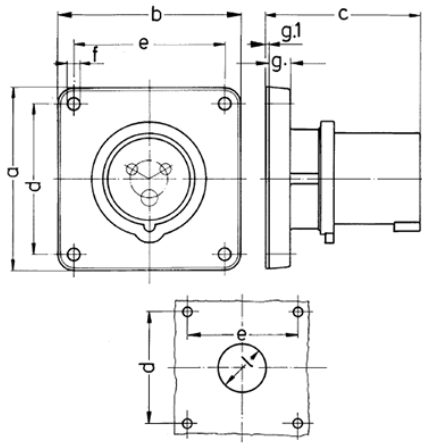
Material and environmental properties

| | |
|-----------------------------------|---|
| RoHS 2011/65/EU incl. 2015/863/EU | ✓ |
| POP regulation (EU) 2019/1021 | ✓ |

Regulations and Standards

| | |
|---------------------------|--------------------|
| Norm | DIN EN IEC 60309-2 |
| Declaration of Conformity | CE |
| Test label | VDE (ÜG), EAC, CQC |

Dimensional Drawing



| Drawing 2 MB 173/2 | Amp. Poles | 16 | | | 32 | | |
|--|---------------|------|------|------|------|------|------|
| | | 3 | 4 | 5 | 3 | 4 | 5 |
| Dim. in mm | a | 85.7 | 85.7 | 85.7 | 85.7 | 85.7 | 85.7 |
| | b | 85.7 | 85.7 | 85.7 | 85.7 | 85.7 | 85.7 |
| | c | 72 | 72 | 72 | 90 | 90 | 90 |
| | d | 69.5 | 69.5 | 69.5 | 69.5 | 69.5 | 69.5 |
| | e | 69.5 | 69.5 | 69.5 | 69.5 | 69.5 | 69.5 |
| | f | 5.5 | 5.5 | 5.5 | 5.5 | 5.5 | 5.5 |
| | g. | 11 | 11 | 11 | 11 | 11 | 11 |
| | g.1 | 2 | 2 | 2 | 2 | 2 | 2 |
| | l | 32 | 36 | 36 | 47 | 47 | 47 |
| Terminal for cond. cross section (mm ²) min.-max. | | 1.5 | 1.5 | 1.5 | 2.5 | 2.5 | 2.5 |
| | | -4 | -4 | -4 | -10 | -10 | -10 |