



Mini Hooter HPO

**All-purpose signalling device
for dry and damp rooms**

- ▶ Small dimensions
- ▶ High volume
- ▶ Continuous operation
- ▶ Low current consumption
- ▶ Simple installation
- ▶ Lift alarm version with especially low current consumption
- ▶ Protection Degree IP 43

Application

The HPO hooter is a small, loud signalling device used for calling, warning and indicating purposes in dry and damp rooms.

Thanks to its small dimensions, it can also be used in cramped conditions.

Design

The plastic housing is made of impact-resistant thermoplastic (ABS).

The sound source is a sturdy capsule system available for all usual DC and AC supply voltages.

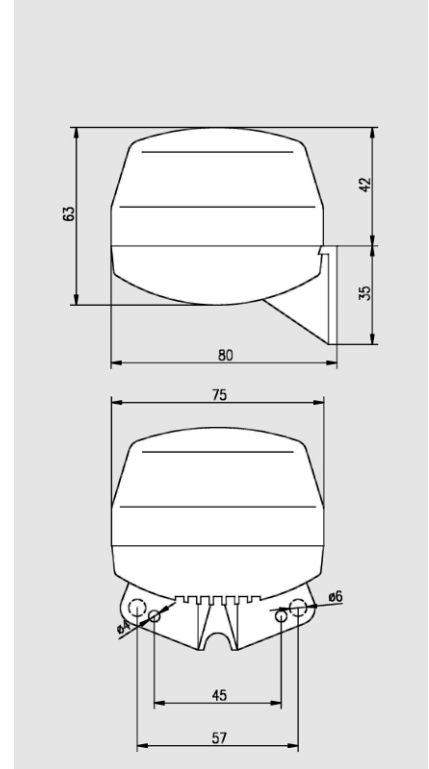
Emergency indicator at an elevator

Thanks to its small dimensions, it can also be used in cramped conditions.



Technical specifications

Housing	Thermoplastic (ABS), impact-resistant
Colour	grey
Protection degree	IP 43 (IEC 529)
Protection class	II
Connection terminals	2.5 mm ² single wire, 1.5 mm ² fine wire
Operating conditions	In dry and damp rooms
Operating position	Horn downwards
Operating mode	Continuous
Volume	Approx. 92 dB (A), 1 m (Regarding volume specifications, please see the chapter "Technical Informations".)
Temperature range	
Operation	-20° C to +60° C
Storage	-30° C to +70° C
Weight	0.185 kg



Order information

Type	Name	Rated voltage in V	Permissible operating voltage range	Rated current in mA	Article no.
HPO	Mini Hooter	6 VAC 50 Hz	+10%/-15%	600	212 204 01
HPO	Mini Hooter	12 VAC 50 Hz	+10%/-15%	330	212 204 02
HPO	Mini Hooter	24 VAC 50 Hz	+10%/-15%	190	212 204 03
HPO	Mini Hooter	42 VAC 50 Hz	+10%/-15%	80	212 204 04
HPO	Mini Hooter	60 VAC 50 Hz	+10%/-15%	80	212 204 05
HPO	Mini Hooter	110 VAC 50 Hz	+10%/-15%	20	212 204 06
HPO	Mini Hooter	230 VAC 50 Hz	+10%/-15%	20	212 204 07
HPO	Mini Hooter	6 VDC	+10%/-15%	350	212 204 11
HPO	Mini Hooter	12 VDC	+10%/-15%	150	212 204 12
HPO	Mini Hooter	24 VDC	+10%/-15%	70	212 204 13
HPO	Mini Hooter	48 VDC	+10%/-15%	60	212 204 14
HPO	Mini Hooter	60 VDC	+10%/-15%	50	212 204 15
HPO	Mini Hooter	110 VDC	+10%/-15%	30	212 204 16
HPO	Mini Hooter	220 VDC	+10%/-15%	20	212 204 17
HPO Lift Alarm	Mini Hooter	6 VDC	+10%/-15%	80	212 204 21
HPO Lift Alarm	Mini Hooter	12 VDC	+10%/-15%	130	212 204 22

Subject to change without notice · Printout 03/08