

Technical data sheet

Cone cable gland, metric thread, light grey

Item number: 2035332



Standard cable gland, shape A, to DIN 46320 with simple NR/SBR sealing ring with metric connection thread to IEC 423.

Protection rating: with connection thread sealing ring IP65, without connection thread sealing ring IP54.

Note: Only tighten polystyrene cable glands lightly due to the risk of stress crack formation.
Shock-resistant



PS Polystyrene

Master data

| | |
|------------------------------------|--------------------------|
| Item number | 2035332 |
| Type | 106 M 20 PS |
| Description 1 | Cable gland |
| Manufacturer | OBO |
| Dimension | M20 |
| Colour | Light grey; RAL 7035 |
| Material | Polystyrene |
| Smallest sales unit | 50 |
| Unit of quantity | Piece |
| Weight | 0.753 kg |
| Weight unit | kg/100 pc. |
| CO2 Footprint (GWP) Cradle-to-Gate | 0,0337 kg CO2e / 1 Piece |

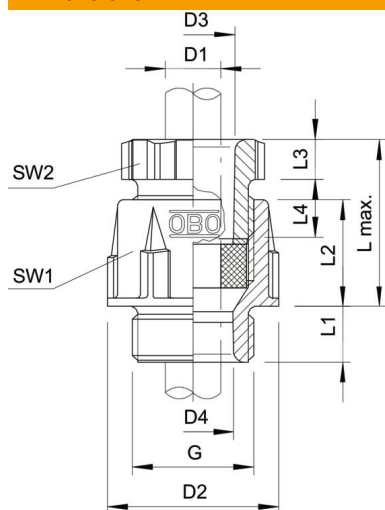
Technical data sheet

Cone cable gland, metric thread, light grey

Item number: 2035332



Dimensions



| | |
|------------------|------------|
| Length | 27 mm |
| Width | 27 mm |
| Height | 35 mm |
| Dimension D1 | 13 mm |
| Dimension D2 | 27 mm |
| Dimension D3 | 13.4 mm |
| Dimension D4 | 13.5 mm |
| Dimension G | M20x1,5 mm |
| Dimension L max. | 28 mm |
| Dimension L1 | 9 mm |
| Dimension L2 | 16 mm |
| Dimension L3 | 5 mm |
| Dimension L4 | 10.8 mm |

Technical data

| | |
|--------------------------|--------------|
| Type of seal | Sealing ring |
| Version for | Straight |
| Bend protection | no |
| Sealing area D, max. | 13 mm |
| Sealing area D, min. | 9 mm |
| explosion-proof | no |
| For Ex zone | Without |
| For Ex zone gas | Without |
| For Ex zone dust | Without |
| Thread | M20 x 1,5 |
| Thread type | Metric |
| Thread length | 9 mm |
| Nominal thread size | 20 |
| Fibre-glass reinforced | no |
| Halogen-free | yes |
| Sealing insert, multiple | no |
| With locknut | no |
| Impact-resistant | yes |
| WAF 1 | 24 mm |
| WAF 2 | 21 mm |
| Protection rating | IP65 |
| Splittable gland | no |
| Strain relief option | no |