

33 870 875 Product version up to 10/30/2024



- 240mm projection
- pivotable spout 360°
- Optional swivel limiter available with swivel limiter set 12 823 970 90
- laminar and spray flow
- height of mixer 500 mm
- height up to laminar flow regulator 240 mm
- hole diameter 35 mm
- 1800 mm metal shower hose
- sprayface with anti-scaling system
- max. flow 10.4 l/min at 3 bar flow pressure
- lead-free
- Flow modes can be changed while the water is running
- This product can help a building meet the requirements of Green Building Rating Systems, e.g. LEED®, BREEAM®, DGNB

Intrinsic protection against back flow.

| | | |
|---|--------------------------------|---------------|
|  | Brushed Dark Platinum | 33 870 875-99 |
|  | Chrome | 33 870 875-00 |
|  | Brushed Platinum | 33 870 875-06 |
|  | Platinum | 33 870 875-08 |
|  | Dark Chrome | 33 870 875-19 |
|  | Brushed Durabronze (23kt Gold) | 33 870 875-28 |
|  | Matte Black | 33 870 875-33 |
|  | Brushed Dark Brass (PVD) | 33 870 875-39 |
|  | Brushed Bronze (PVD) | 33 870 875-42 |
|  | Brushed Dark Bronze (PVD) | 33 870 875-43 |
|  | Brushed Champagne (22kt Gold) | 33 870 875-46 |
|  | Champagne (22kt Gold) | 33 870 875-47 |
|  | Brushed Chrome | 33 870 875-93 |

Recommended miscellaneous

| | | |
|---|--------------------------------|---------------|
|  | Swivel limitation set - | 12 823 970 90 |
|---|--------------------------------|---------------|

Recommended miscellaneous

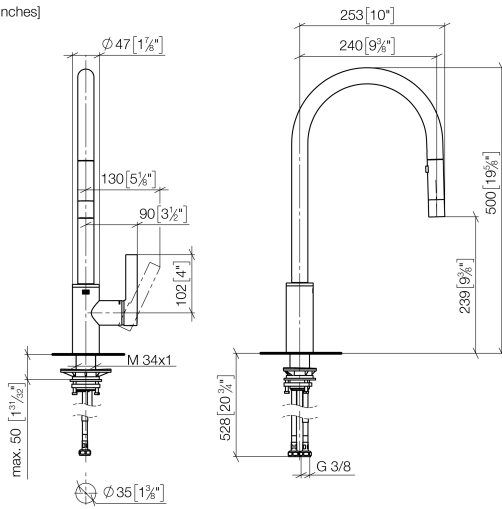
| | | |
|---|--|---------------|
|  | Dispenser without rosette - Brushed Dark Platinum | 82 424 970-99 |
|---|--|---------------|

Recommended miscellaneous

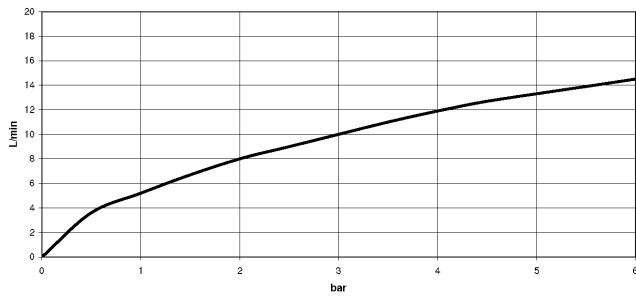
| | | |
|---|---|---------------|
|  | Strainer waste with control handle - Brushed Dark Platinum | 10 712 970-99 |
|---|---|---------------|

33 870 875 Product version up to 10/30/2024

mm [inches]



Flow rate chart



Codes & Standards

DIN 4109

EN 1717

Executive Order
no. 1007

ISO 3822

Ü-Zeichen



TARA ULTRA Single-lever mixer Pull-down with spray function - Brushed Dark
Platinum

TARA ULTRA

33 870 875 Product version up to 10/30/2024

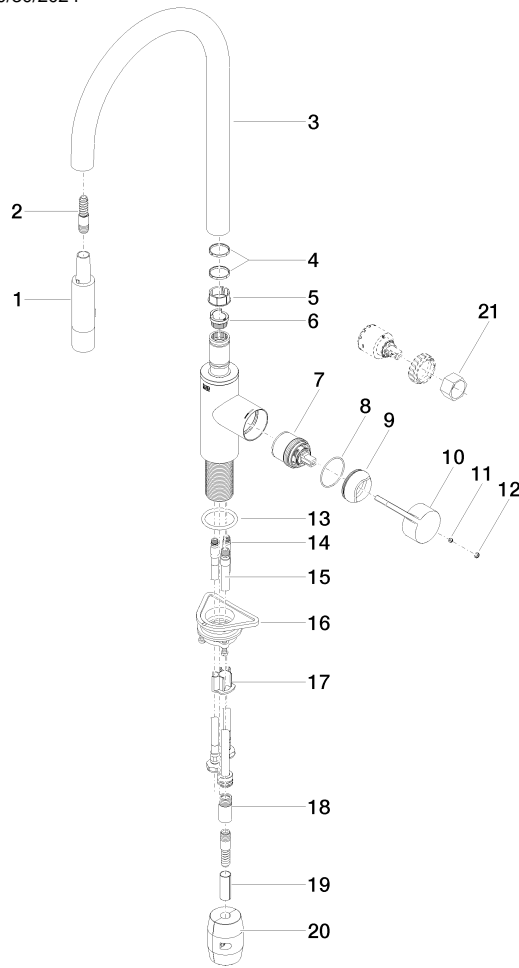
Certificates and sustainability

Belgaqua_21-027-2 GDV_0400

LGA_28

EPD-DOR-20230287 Belgaqua_25-340-2
-IBA1-EN
Environmental.prod
uct-declarat

33 870 875 Product version up to 10/30/2024



33 870 875 Product version up to 10/30/2024

Spare parts list

| No. | Item Number | Name | Quantity used | Delivery time |
|--|--------------------|--|---------------|---------------|
| 15 | 04 28 20 067 00 90 | Pipe - | 1.00 | 14 |
| 21 | 90 30 09 031 00 90 | Spanner Cartridge screw connection - | 1.00 | 14 |
| 18 | 90 24 03 253 00 90 | Adapter Ø 16 x 35 mm - | 1.00 | 14 |
| 4 | 09 28 10 160 90 | Ring 25,63 x 2,8 x 25,95 mm - | 2.00 | 14 |
| 3 | 90 28 22 304 00-99 | Spout 376 x 265 x 28 mm - Brushed Dark Platinum | 1.00 | 40 |
| 17 | 09 20 93 056 90 | Hose guide 30 x 22,2 x 25 mm - | 1.00 | 14 |
| 1 | 90 12 11 148 00-99 | Rinsing spray - Brushed Dark Platinum | 1.00 | - |
| Spare part can no longer be ordered, please order the replacement item | | | | |
| 12 | 90 31 20 087 00-99 | Plug with O-ring Ø 7 x 2,1 mm - Brushed Dark Platinum | 1.00 | 40 |
| 13 | 09 14 10 036 90 | O-Ring 36,0 x 4,0 mm - | 1.00 | 14 |
| 10 | 09 20 87 020-99 | Handle Lever 124 x 23 x 44,5 mm - Brushed Dark Platinum | 1.00 | 40 |
| 9 | 09 28 30 030-99 | Cover Ø 42 x 17 mm - Brushed Dark Platinum | 1.00 | 40 |
| 5 | 09 18 40 186 90 | Sleeve 27,9 x 11,9 x 27,9 mm - | 1.00 | 14 |
| 2 | 04 30 02 120 00-85 | Tube M12x1 x M12x1 x 1800 mm - Stainless Steel | 1.00 | 20 |
| 14 | 04 30 04 101 00 90 | High pressure hose M8x1 x 3/8" x 600 mm - | 2.00 | 14 |
| 8 | 09 14 10 190 90 | O-Ring EPDM 70 38,0 x 1,5 mm - | 1.00 | 14 |
| 11 | 90 31 11 063 00 90 | Mounting Threaded pin with hexagon socket with cup point M5 x 4 mm - | 1.00 | 14 |
| 19 | 09 30 03 038 90 | Tube slotted Ø 12 x 0,8 x 35 mm - | 1.00 | 14 |
| 16 | 04 30 11 040 00 90 | Mounting for sink unit deck mounting with spacer M34 x 1 - | 1.00 | 14 |
| 6 | 09 30 11 203 90 | Limiting ring Ø 22,7 x 16,5 mm - | 1.00 | 14 |
| 20 | 04 21 50 010 00 90 | Weight for kitchen spray hoses 220g - | 1.00 | 14 |
| 7 | 90 15 05 046 05 90 | Single-lever mixer cartridge insert 45° with fastening nut and adapter key , torque wrench Ø 35 mm x 58,6 mm - | 1.00 | 14 |