

Built-in plug CaraCONTACT

Part number: 8008



MENNEKES
Elektrotechnik GmbH & Co. KG

Aloys-Mennekes-Straße 1
57399 Kirchhundem
GERMANY

www.MENNEKES.org

Product Description

- screw connection technology
- nickel plated contacts
- external fixing
- with lid

Technical Details

Built-in plug CaraCONTACT	8008
Product serie	CaraCONTACT
Ampere	16A
Number of poles	3p
Clock position	6h
Nominal voltage AC	230V
Nominal frequency	50 - 60 Hz
Protection type IP	IP44
Contact carrier	nickel plated contacts
Connection	screw terminals
Tightening torque connection terminal	PZ2, slot
Phase inverter	without phase inverter
Pilot contact	without pilot contact
Flange dimensions	122 x 100 mm
Hole spacings	105 x 74 mm
Enclosure base can be turned 180°	no
Insertion direction	straight
Type of mounting	external fixing
Military version	no
Protection cap	without protection cap
Conductor cross-section min.	1.5 mm ²
Conductor cross-section max.	4 mm ²
Weight (net)	293 g
Packaging unit	5 Stück
Quantity per pallet	760 Stück

Built-in plug CaraCONTACT	8008
EAN / identification number	4015394033790

Permissible ambient conditions

	Min.	Max.
Permanent ambient temperature	-25 °C	40 °C
Average temperature over 24 hours		35 °C

Material properties

Housing	PA6 light grey [similar RAL 7035]
Front part	PA6 blue [similar RAL 5007]
Lid	PC black [similar RAL 9005]

Material resistance

The material resistance overview can be found on the website in the section “Knowledge” - “Product knowledge” - “Materials”.

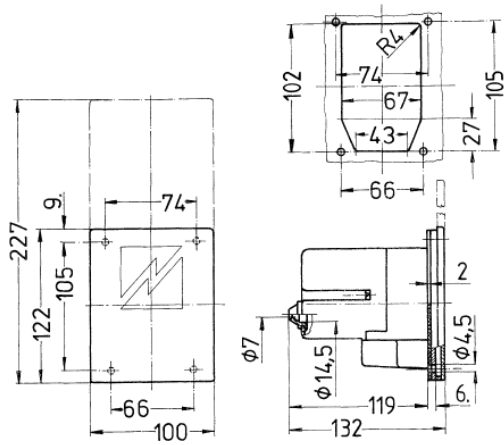
Material and environmental properties

RoHS 2011/65/EU incl. 2015/863/EU	✓
POP regulation (EU) 2019/1021	✓

Regulations and Standards

Norm	DIN EN IEC 60309-2
Declaration of Conformity	CE
Test label	EAC

Dimensional Drawing



Drawing
2 MB 70

Dim. in mm