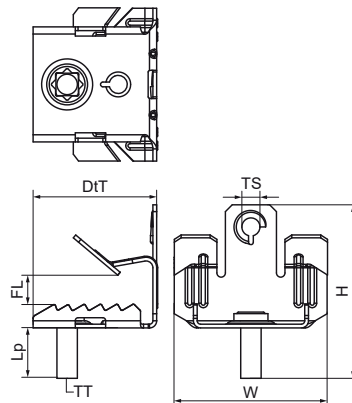
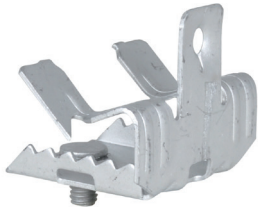


## Walraven Britclips® FU M6 x 9

(J1010)

for flange



### Features & benefits

- for a solid fixing under flanges without welding or drilling
- suitable for horizontal and vertical flanges
- with stud bolt M6 x 9 mm for fixing of clamp, conduit junction box, etc.
- material: spring steel (type CS70)
- surface treatment: Delta-Tone 9000 (480 hours)

Product Number	Thread Size	Thread Type	Stud Length	Total Height	Total Width	Total Depth	Maximum Allowed Load Faz
<i>Reference letter</i>	<i>TS</i>	<i>TT</i>	<i>Lp</i>	<i>H</i>	<i>W</i>	<i>DtT</i>	<i>F<sub>0,z</sub></i>
<i>Unit description</i>			<i>mm</i>	<i>mm</i>	<i>mm</i>	<i>mm</i>	<i>N</i>
51520607	M6	Metric	9	23	45	37.5	450
51520613	M6	Metric	9	28	45	37.5	450
51520620	M6	Metric	9	44	45	37.5	450
51520663	M6	Metric	9	28	45	37.5	450
51520670	M6	Metric	9	44	45	37.5	450