

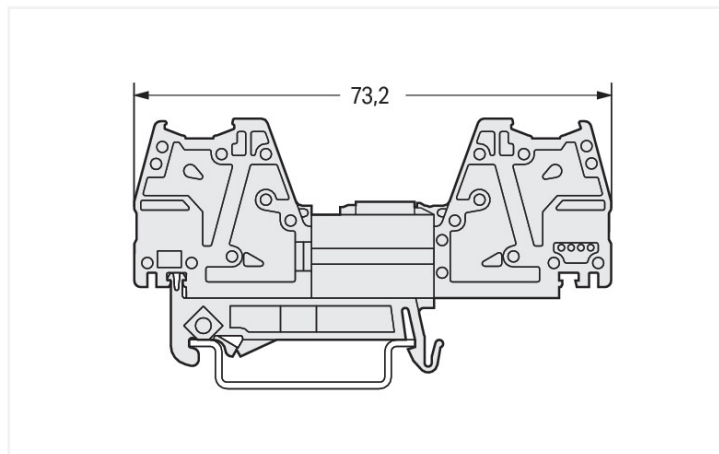
Data Sheet | Item Number: 831-137

Mounting adapter; for DIN-35 rail/panel mounting; 3 parts; Pin spacing 7.62 mm;
light gray

<https://www.wago.com/831-137>



Color: ■ light gray



Dimensions in mm

Mechanical data

Mounting type

Snap on with locking plate
DIN-35 rail

Material data

Note (material data)

[Information on material specifications can be found here](https://www.wago.com/us/material-specifications)

Color

light gray

Material group

I

Insulation material

Polyamide (PA66)

Flammability class per UL94

V0

Fire load

0.047 MJ

Weight

1.6 g

Commercial data

Product Group

3 (Multi Conn. System)

eCl@ss 10.0

27-14-11-92

eCl@ss 9.0

27-14-11-92

ETIM 8.0

EC002848

ETIM 7.0

EC002848

PU (SPU)

48 pcs

Packaging type

Box

Country of origin

DE

GTIN

4045454226107

Customs tariff number

39269097900

Environmental Product Compliance	
RoHS Compliance Status	Compliant, No Exemption

Downloads

Environmental Product Compliance

Compliance Search	
Environmental Product Compliance 831-137	↓

Documentation

Additional Information			
Technical Section	03.04.2019	pdf 2010.85 KB	↓

CAD/CAE-Data

CAD data	
2D/3D Models 831-137	↓

CAE data	
ZUKEN Portal 831-137	↓