



Features

- Premium performance professional LED MR16 range with the same look and feel of traditional halogen MR16 lamp. Recreates backlight effect similar to halogen dichroic lamps. Full glass design - means no colours clashing between lamp and fixture. Very long lifetime of up to 25,000 hours. Switching cycles: >100,000. Colour rendering: CRI80. Lamp voltage: 12V AC/DC. Dimmable on approved dimmers. Works with magnetic and compatible electronic transformers. Warranty: 5 Years

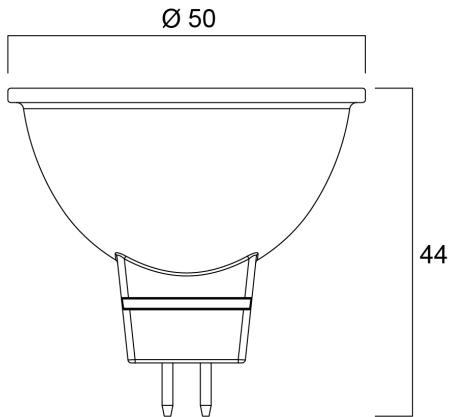
Product Overview

Product name	RefLED Superia Retro MR16 V3 621LM DIM 865 36 SL
Technology	LED
Watt (Rated) (W)	6.1
Lamp shape	Reflector
Cap/Base	GU5.3
Lamp finish	Fresnel lens
Fixture rating	Open
General application	Education, Hospitality, Museums & Galleries, Office, Residential & Consumer, Retail
ETIM Class	EC001959
Correlated colour temperature (k)	6500
Light colour	Daylight
CRI (Ra)	80
Colour Variation Initial (SDCM)	6
Beam Angle (°)	36
Photobiological Risk Group	RG1
Wattage (W)	6.1

RefLED Superia Retro MR16 V3 621LM DIM 865 36 SL 0031824

Power consumption (W)	6.1
Control gear type	LED driver constant current
Dimmable	Yes
Housing colour	Transparent
IP rating	IP20
Product EAN number	5410288318240
Warranty	3 years
Dimming method	Mains: leading / trailing edge
Useful luminous flux (#use)	621

Technical drawings



Data table

GENERAL DATA

Product name	RefLED Superia Retro MR16 V3 621LM DIM 865 36 SL
Technology	LED
Watt (Rated) (W)	6.1
Lamp shape	Reflector
Cap/Base	GU5.3
Lamp finish	Fresnel lens

RefLED Superia Retro MR16 V3 621LM DIM 865 36 SL 0031824

Fixture rating	Open
General application	Education, Hospitality, Museums & Galleries, Office, Residential & Consumer, Retail
ETIM Class	EC001959
Warranty	3 years

OPTICAL DATA

Useful luminous flux (#use)	621
Correlated colour temperature (k)	6500
Light colour	Daylight
CRI (Ra)	80
Colour Variation Initial (SDCM)	6
Luminous Intensity (cd)	1150
Beam Angle (°)	36
Photobiological Risk Group	RG1

ELECTRICAL DATA

Power consumption (W)	6.1
Wattage (W)	6.1
Equivalent watt (W)	50
Current (A)	0.7
Primary Supply/Product voltage - min (V)	12.0
Primary Supply/Product voltage - max (V)	12.0
Control gear required	Yes
Control gear type	LED driver constant current
No. Of switching cycles before premature failures	>50000
Dimmable	Yes
Dimming method	Mains: leading / trailing edge
Inrush Current (A)	3.68
Inrush Duration (µs)	880
Lamp Energy Label (class)	E
Nominal Frequency (Hz)	DC

LIFETIME DATA

Lifespan L70 B50	25000
------------------	-------

PHYSICAL DATA

Housing colour	Transparent
----------------	-------------

IP rating	IP20
-----------	------

Nominal Product Height (mm)	44
-----------------------------	----

Nominal Product Diameter (mm)	50
-------------------------------	----

Weight (kg)	0.041
-------------	-------

PACKAGING

Product EAN number	5410288318240
--------------------	---------------

Packaging single length / height (cm)	6.1
---------------------------------------	-----

Packaging single width (cm)	5.1
-----------------------------	-----

Packaging single depth (cm)	8.2
-----------------------------	-----

DUN14 (inner)	15410288318247
---------------	----------------

Units per inner package	6
-------------------------	---

Packaging inner length / height (cm)	19.4
--------------------------------------	------

Packaging inner width (cm)	11.1
----------------------------	------

Packaging inner depth (cm)	9.2
----------------------------	-----

DUN14 (outer)	25410288318244
---------------	----------------

Units per outer package	60
-------------------------	----

Packaging outer length / height (cm)	58.5
--------------------------------------	------

Packaging outer width (cm)	20.8
----------------------------	------

Packaging outer depth (cm)	20.8
----------------------------	------

SAFETY DATA

Breakage cleaning instructions	Not applicable
--------------------------------	----------------

Special purpose lamp	No
----------------------	----

Dry applications use only	Yes
---------------------------	-----

Suitable for household illumination	Yes
-------------------------------------	-----

Safety message	Suitable for approved transf./dimmers
----------------	---------------------------------------

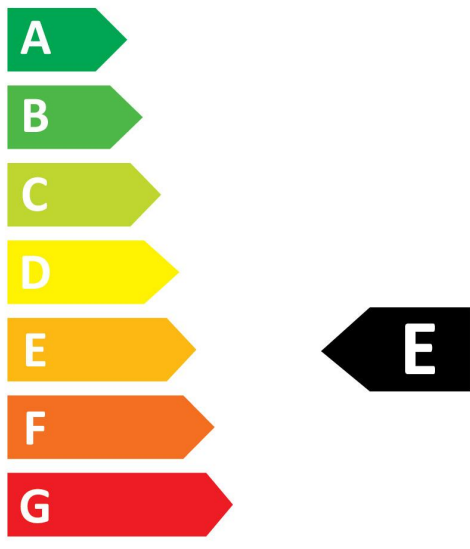
SYLVANIA

RefLED Superia Retro MR16 V3 621LM DIM 865 36 SL
0031824

Energy label



0031824



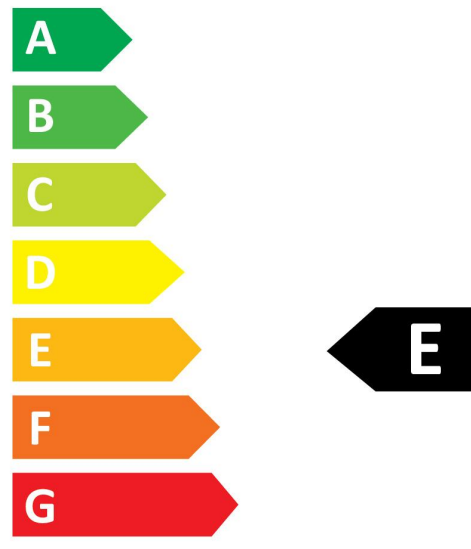
7
kWh/1000h



2019/2015



0031824



7
kWh/1000h



2019/2015