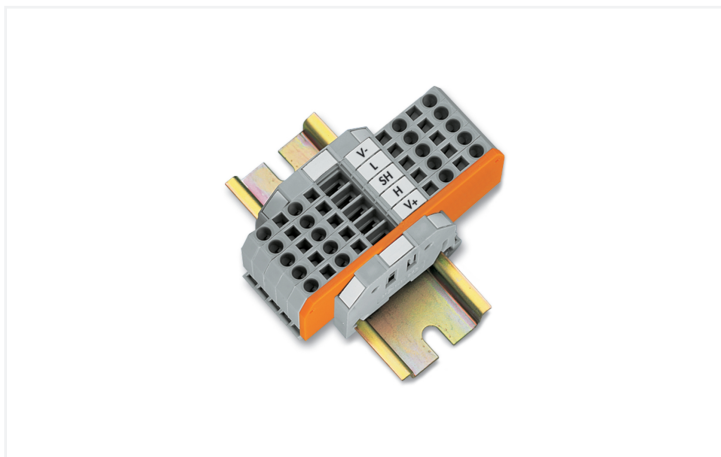
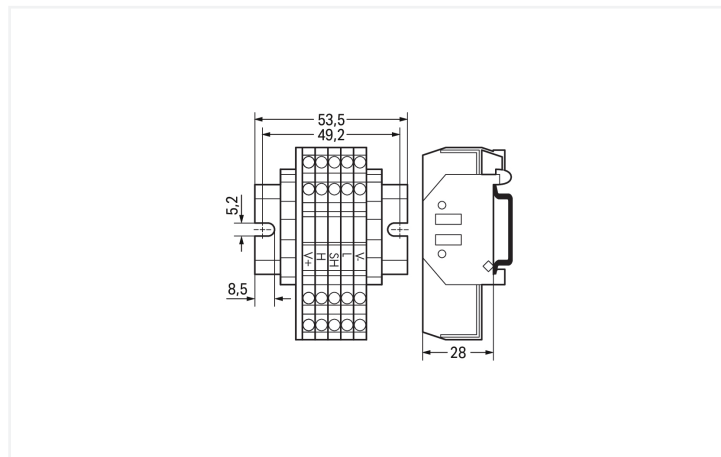


Data Sheet | Item Number: 810-901/000-001
Multi port device tap; 2 trunk cables (input, output); 2 drop cables

<https://www.wago.com/810-901/000-001>



Similar to illustration



Dimensions in mm

Connection Data

Solid conductor	0.08 ... 2.5 mm ² / 28 ... 12 AWG
-----------------	--

Physical data

Width	53.5 mm / 2.106 inches
Height from upper-edge of DIN-rail	28 mm / 1.102 inches
Depth	75 mm / 2.953 inches

Material data

Fire load	1.046 MJ
Weight	78.4 g

Commercial data

Product Group	6 (INTERFACE ELECTRONIC)
PU (SPU)	1 pcs
Packaging type	Box
Country of origin	US
GTIN	4044918311885
Customs tariff number	85369010000

Product Classification	
UNSPSC	39121421
eCl@ss 10.0	27-14-31-05
eCl@ss 9.0	27-14-31-05
ETIM 9.0	EC000635
ETIM 10.0	EC000635
ECCN	EAR99

Environmental Product Compliance	
RoHS Compliance Status	Compliant, No Exemption

Downloads

Environmental Product Compliance

Compliance Search	
Environmental Product Compliance 810-901/000-001	↓

Documentation

Bid Text			
810-901/000-001	19.02.2019	xml 3.30 KB	↓
810-901/000-001	05.03.2019	docx 16.46 KB	↓

CAD/CAE-Data

CAE data	
EPLAN Data Portal 810-901/000-001	↓
WSCAD Universe 810-901/000-001	↓

Subject to changes. Please also observe the further product documentation!

Current addresses can be found at: www.wago.com