

# SensoWash<sup>®</sup> C

---

安装说明

**Mounting instructions**

# 610001 00 2 00 2300

# 610200 00 2 00 2300

# 610300 00 2 00 2300

智能马桶盖

**Shower WC Unit**





重要说明

4

Important information

5

zh  
en



安装, Installation

6



## 重要说明

### 关于安装说明书

该安装说明书是 Duravit 智能马桶盖 SHOWER WC 的组成部分, 安装前应认真阅读。

### 信息词及符号的解释

**!** 危险! 有致命危险或严重伤害的高风险

**注意!** 避免发生财产损失



请参阅本章节中的安装说明



要求视检 (比如检查划痕)

### 目标读者及安装工资质

智能马桶和相关水管的连接只能由专业管道工来安装。电气安装仅允许由有电工资质的电气安装人员实施。

**注意!**  
须无条件遵守当地安装规定、相关国家标准和低压准则。

**注意!**  
请勿将智能马桶盖 SHOWER WC 安装在有危险的室内。室内温度不低于 4°C。

**注意!**  
如果将智能马桶盖从温度低的地方拿到温度高的地方, 可能出现冷凝湿气。  
> 请将器具关闭数小时。

### 安全提示

**!** 危险!  
触电可能导致生命危险。

- > 请勿拆卸智能马桶盖 SHOWER WC 的零部件。
- > 器具必须接地。
- > 本产品自身不带漏电保护功能, 应安装在有漏电保护器的路线中方可安装使用。
- > 固定布线中必须按布线规则配有触电开距提供在过电压等级 III 条件下全极断开的装置。
- > 固定布线给电电缆规格为导线标称横截面积 1 - 2.5mm<sup>2</sup>(17 - 14 AWG)。
- > 确认给电电缆接地端比火线 (L) 和零线 (N) 长 10mm (3/8")。
- > 安装本产品前请确认电气接线盒必须已固定在墙上。

### 安装说明

安装前请查阅技术图纸。技术图纸可从 [www.duravit.com](http://www.duravit.com) 下载。

在 [pro.duravit.com/mounting](http://pro.duravit.com/mounting) 上可找到完整的智能马桶盖 SHOWER WC 安装视频。



请使用二维码

- 1** 检查安装要求 (图 1)
  - > 预装智能马桶盖的水电附件的安装已包括在相应的陶瓷马桶安装说明中。请确保水电附件以及陶瓷马桶是按照说明和规定安装的。
- 24** 遥控器支架定位 (图 24)
  - > 从第 27 步起, 安装防盗装置。
  - > 至第 26 步, 安装无防盗装置的遥控器支架。
- 32** 拆卸座盖 (图 32)
  - > 有需要时, 例如: 清洗时取下座盖。



## Important information

### About the mounting instructions

These mounting instructions come as part of the Duravit Shower WC and should be read carefully prior to installation.

### Explanation of the key words and symbols

**⚠ DANGER!** At high risk of fatal hazards or serious injuries

**NOTE!** To avoid property damage



Link to the **installation information** in this section



Inspection (e.g. for scratches)

### Target Readership and Qualifications

The Shower WC and associated water connection may only be installed by qualified plumbers. The electrical installation may only be carried out by qualified electricians.

#### NOTE!

Local installation regulations, country-specific standards and the low voltage directives must be observed at all times.

#### NOTE!

DO NOT install the Shower WC in rooms where there is a danger of frost. The room temperature must not be less than 4 °C.

#### NOTE!

Condensation may form when the Shower WC unit is brought from a cold location to a warm one.

- > Leave the unit switched off for a few hours.

### Safety instructions

**⚠ DANGER!**  
**Risk of fatal electric shock.**

- > Do NOT remove individual Shower WC components.
- > Appliances have to be earthed.

- > The product itself does not have electrical leakage protection function, it must be installed in circuit where there is leakage protection device installed.
- > Means for disconnection must be incorporated in the fixed wiring in accordance with the wiring rules and having a contact separation in all poles that provide full disconnection under overvoltage category III conditions.
- > Wire specification of cord is cross section 1 – 2.5mm<sup>2</sup> (17 – 14 AWG).
- > Confirm that the grounding wire is 10 mm (3/8") longer than the L and N wire.
- > Confirm that the electric connection box must be fixed on wall before installation.

### Installation Instructions

Please read pre-installation data sheets prior to the installation. These are available to download on the Internet at [www.duravit.com](http://www.duravit.com).

An installation video of the complete shower WC is available at [pro.duravit.com/mounting](http://pro.duravit.com/mounting).



Simply use this QR code

#### 1 Checking the installation requirements (Diagram 1)

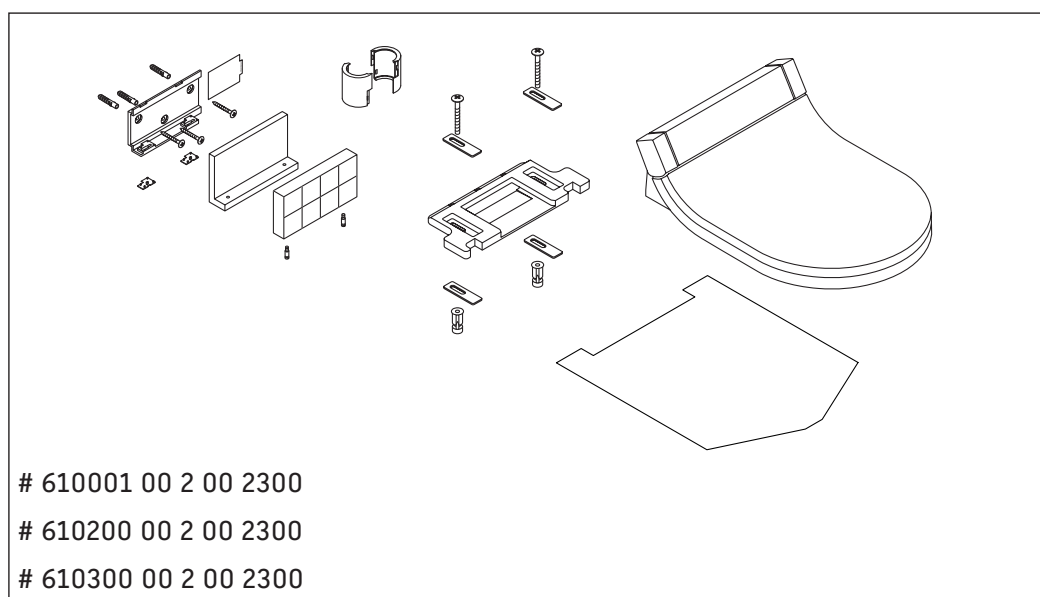
- > The installation of the WC ceramics with pre-installation of the Shower WC water and power supplies is described in separate instructions. Ensure that the supplies and WC ceramics have been installed and mounted according to the instructions and regulations.

#### 24 Positioning the remote control mounting bracket (Diagram 24)

- > Continue with step 27 to install the anti-theft device.
- > Follow the instructions up to step 26 to install the mounting bracket without the anti-theft device.

#### 32 Removing the seat (Diagram 32)

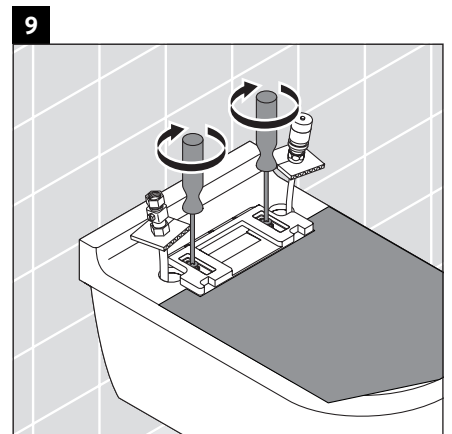
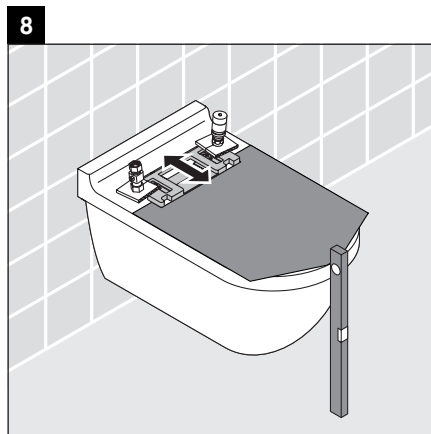
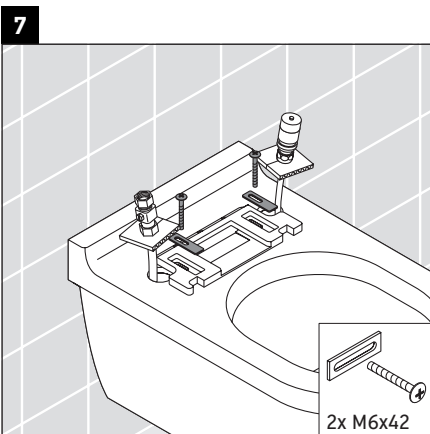
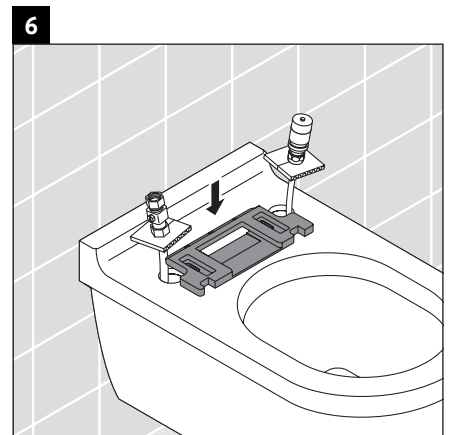
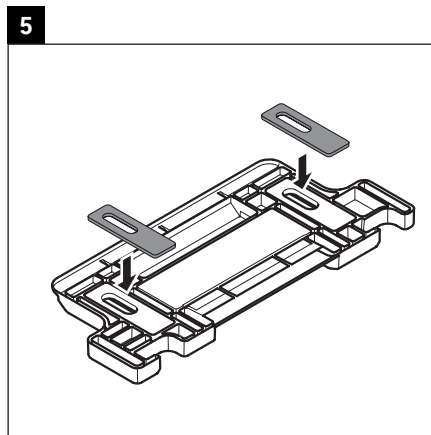
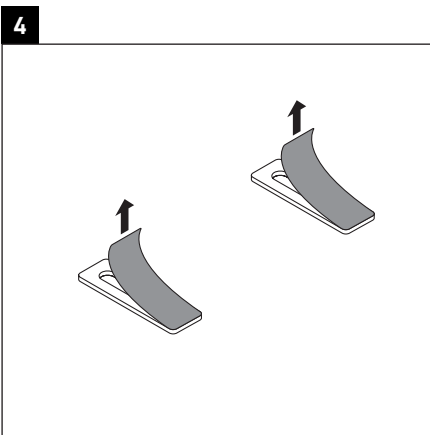
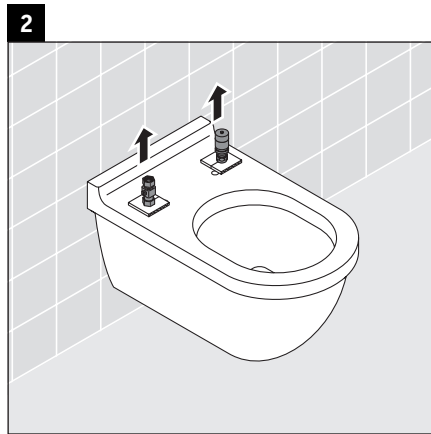
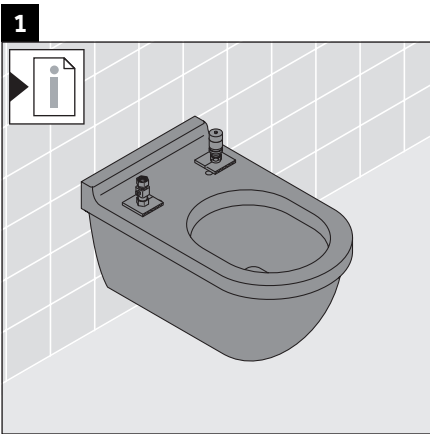
- > Remove the seat as required, e.g. for cleaning.

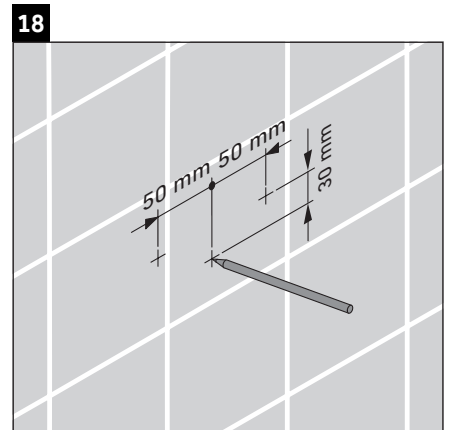
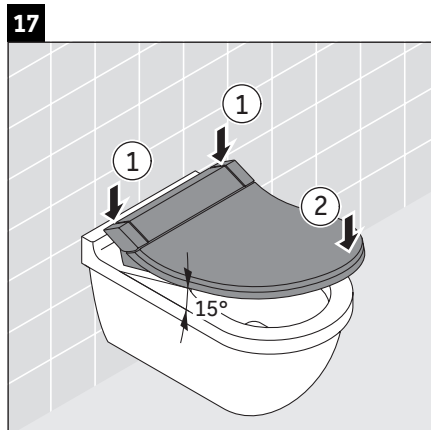
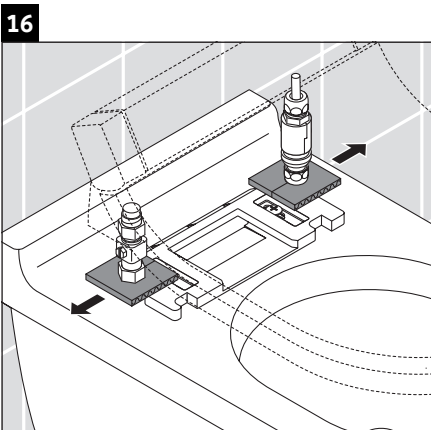
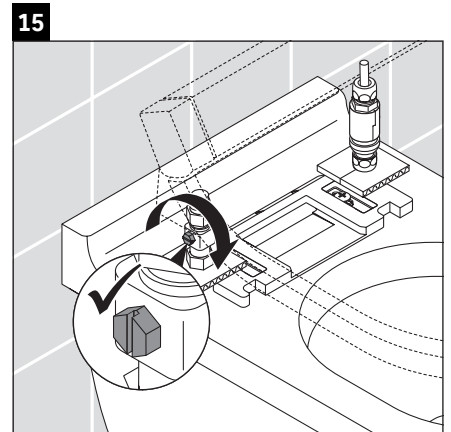
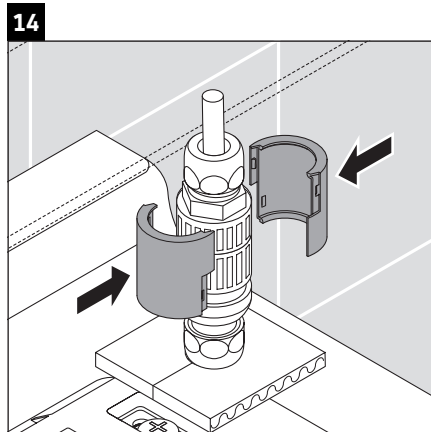
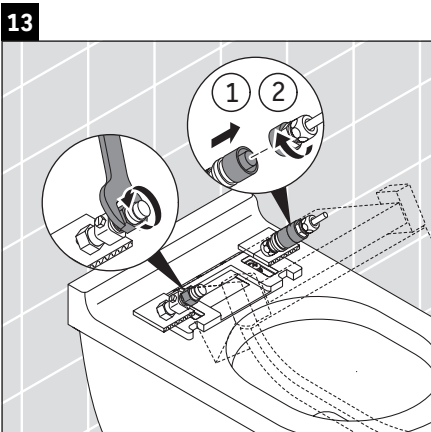
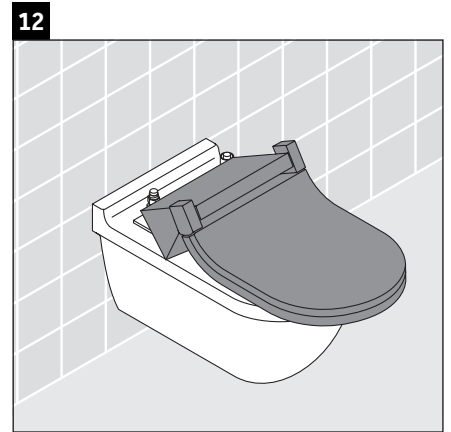
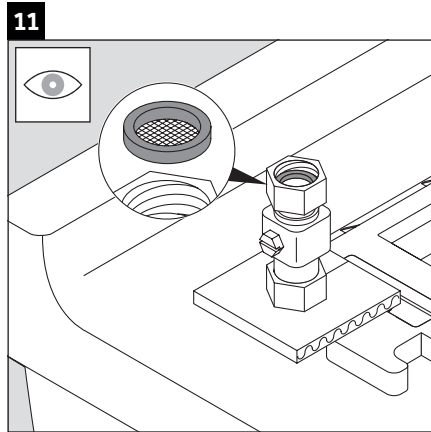
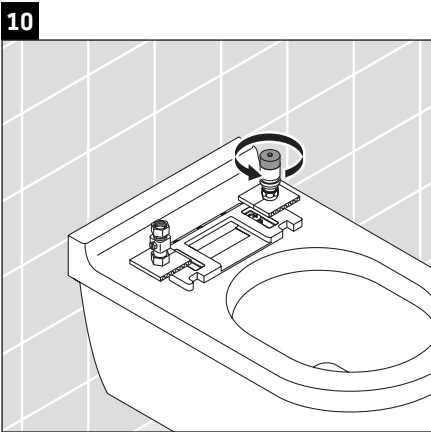


# 610001 00 2 00 2300

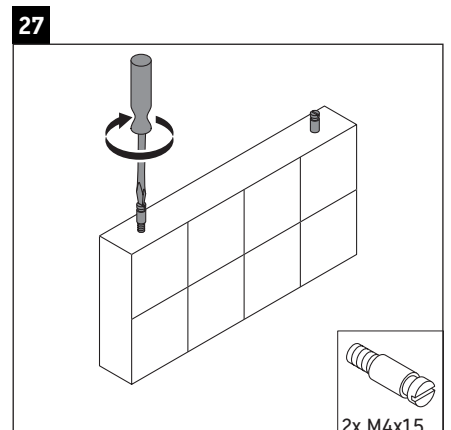
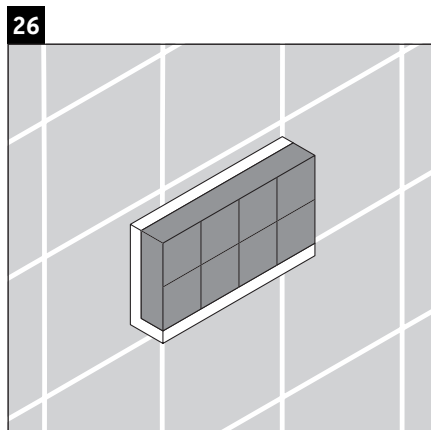
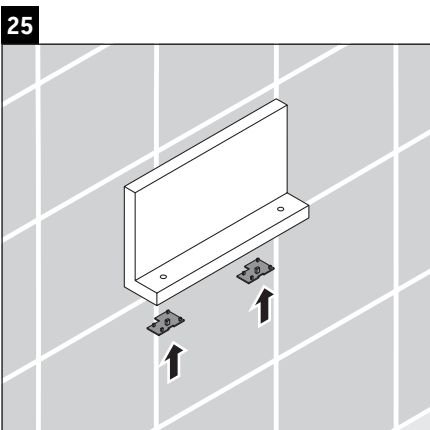
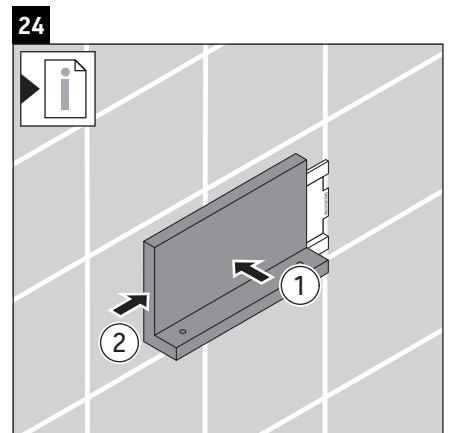
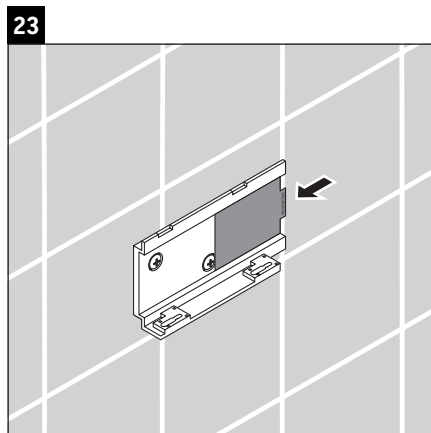
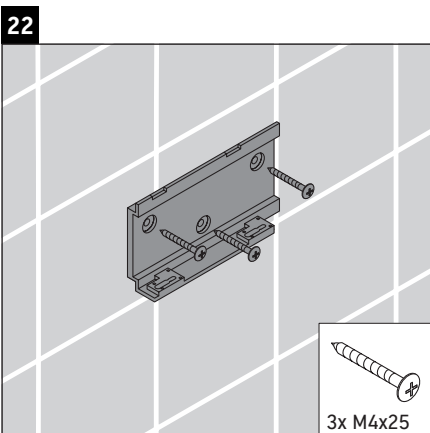
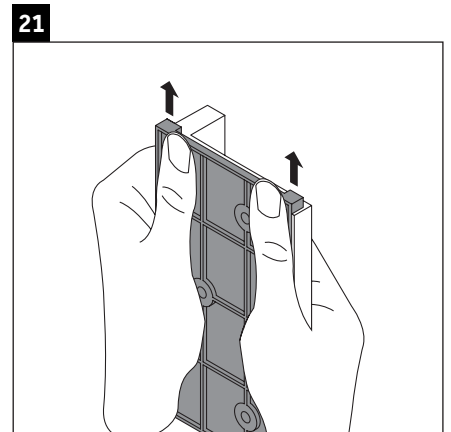
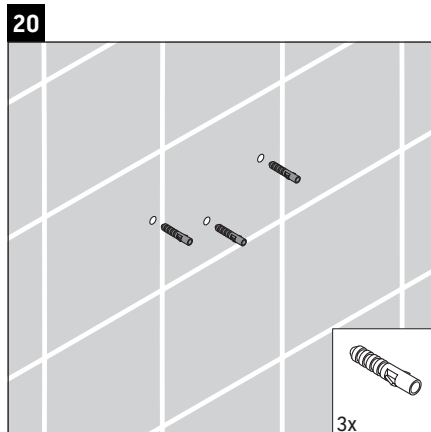
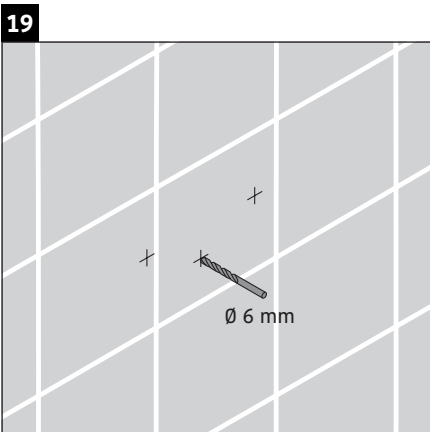
# 610200 00 2 00 2300

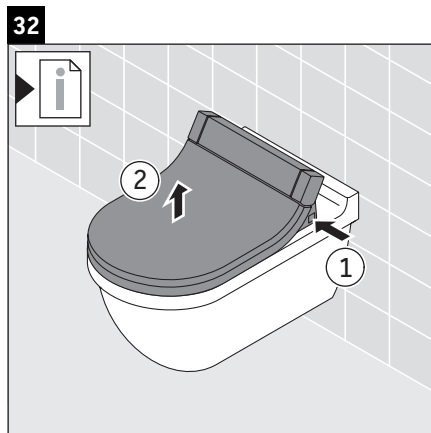
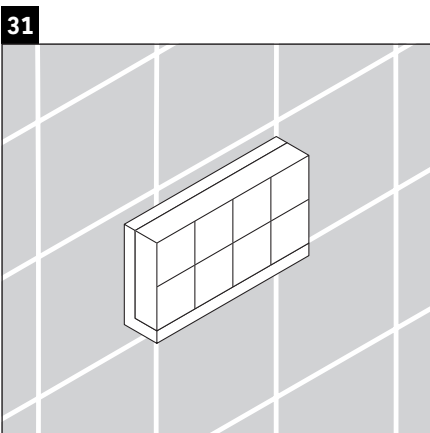
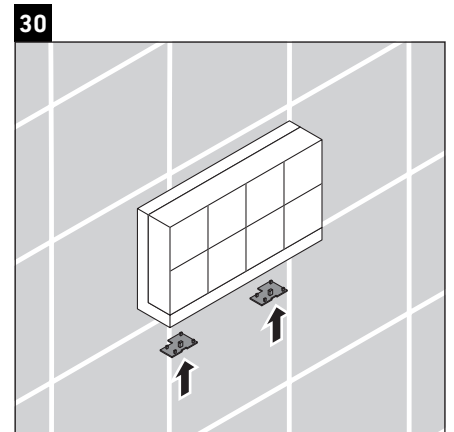
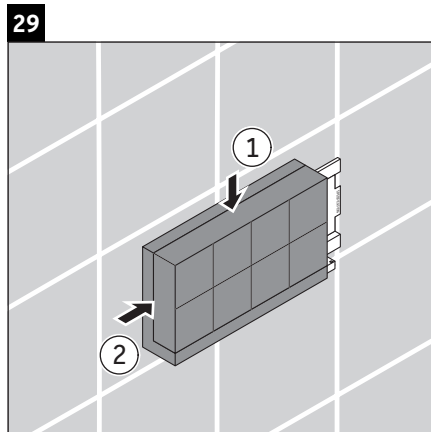
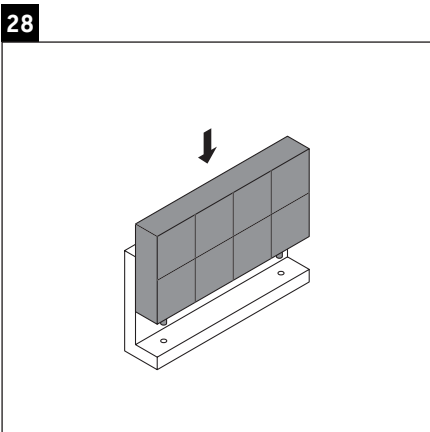
# 610300 00 2 00 2300













**Duravit AG**  
P.O. Box 240  
Werderstr. 36  
78132 Hornberg  
Germany  
Phone +49 78 33 70 0  
Fax +49 78 33 70 289  
info@duravit.com  
www.duravit.com

杜拉维特（中国）洁具有限公司  
客服电话 400 752 1278  
周一至周五 9:00-12:00; 13:00-17:00  
info@cn.duravit.com  
www.duravit.cn  
www.sensowash.cn

---

