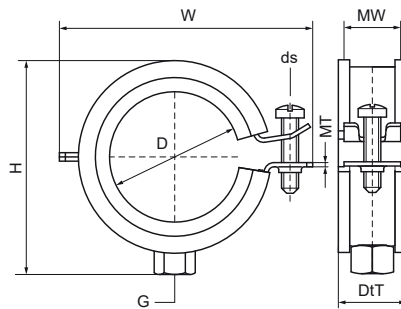


## Walraven BISMAT® 2000 'S' (M8) 1-screw

(A0532)

for steam pipes



### Features & benefits

- single screw clamp
- with Walraven BISMAT® quick locking system
- clamp easy to close with one hand
- material: steel
- zinc plated
- sound insulating lining according DIN 4109
- tested for fire safety
- heat resistant up to 210°C



EPD

| Product Number   | Outside Pipe Diameter | DN    | Pipe Diameter Imperial | Connection Thread | Material Width | Material Thickness | Screw Size | Total Height | Total Width | Total Depth | Approvals       | Maximum Allowed Load Faz |
|------------------|-----------------------|-------|------------------------|-------------------|----------------|--------------------|------------|--------------|-------------|-------------|-----------------|--------------------------|
| Reference Letter | D                     | D     | D                      | G                 | MW             | MT                 | ds         | H            | W           | DtT         |                 | F <sub>a,z</sub>         |
| Unit description | mm                    |       | "                      |                   | mm             | mm                 |            | mm           | mm          | mm          |                 | N                        |
| 3404018          | 15 - 18               | DN 10 | 3/8                    | M8/M10            | 20             | 1.00               | M6         | 46           | 47          | 26          | RAL-GZ 656, EPD | 600                      |
| 3404023          | 20 - 23               | DN 15 | 1/2                    | M8/M10            | 20             | 1.00               | M6         | 51           | 52          | 26          | RAL-GZ 656, EPD | 600                      |
| 3404028          | 25 - 28               | DN 20 | 3/4                    | M8/M10            | 20             | 1.00               | M6         | 56           | 57          | 26          | RAL-GZ 656, EPD | 600                      |
| 3404035          | 31 - 35               | DN 25 | 1                      | M8/M10            | 20             | 1.00               | M6         | 63           | 64          | 26          | RAL-GZ 656, EPD | 600                      |
| 3404043          | 40 - 43               | DN 32 | 1 1/4                  | M8/M10            | 20             | 1.25               | M6         | 71           | 72          | 26          | RAL-GZ 656, EPD | 800                      |
| 3404053          | 48 - 52               | DN 40 | 1 1/2                  | M8/M10            | 20             | 1.25               | M6         | 79           | 80          | 26          | RAL-GZ 656, EPD | 800                      |
| 3404063          | 57 - 63               | DN 50 | 2                      | M8/M10            | 20             | 1.25               | M6         | 90           | 91          | 26          | RAL-GZ 656, EPD | 800                      |