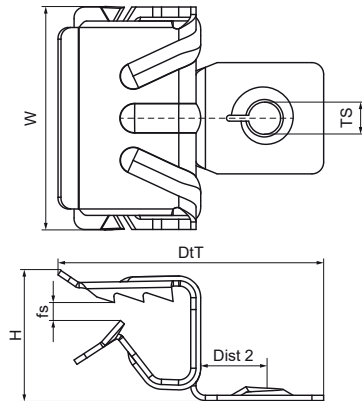


Walraven Britclips® FCR M6

(J0535)

for flange



Features & benefits

- for a solid fixing to steel construction without the need for welding or drilling
- with female thread M6
- material: spring steel (type CS70)
- surface treatment: Delta-Tone 9000 (480 hours)

Product Number	Thread Size	Total Height	Total Width	Total Depth	Maximum Allowed Load Faz
<i>Reference letter</i>	<i>TS</i>	<i>H</i>	<i>W</i>	<i>DtT</i>	<i>Fa,z</i>
<i>Unit description</i>		<i>mm</i>	<i>mm</i>	<i>mm</i>	<i>N</i>
50425609	M6	12	38	46	200
50425616	M6	17	38	46	200