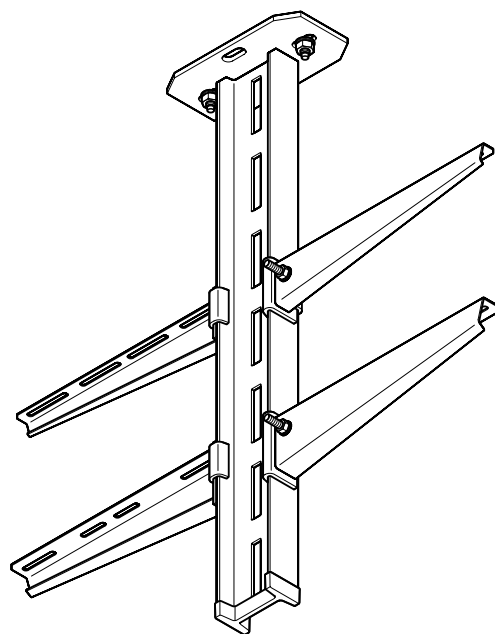


I support systems
Mounting instructions



I support systems

Mounting instructions

Table of contents

1	About these instructions5
1.1	Target group	5
1.2	Relevance of these instructions.	5
1.3	Types of warning information	5
2	Correct use6
2.1	Basic standards.	6
3	Safety6
3.1	General safety information	6
3.2	Personal protective equipment	6
4	System description7
4.1	System components	7
4.2	Accessories.	8
4.2.1	Earthing terminal	8
4.2.2	Fastening material	8
5	Mounting system components.9
5.1	Mounting fastening material	9
5.2	Mounting the I hanging support.	10
5.3	Mounting the adapter head plate	10
5.4	Mounting the head plate	12
5.5	Mounting the I support on the wall	13
5.6	Mounting the variable head plate	14
5.7	Connecting I supports	15
6	Creating equipotential bonding	16
7	Maintenance of I support systems.	16
8	Dismantling I support systems.	17
9	Disposing of I support systems	17
10	Technical data.	18

1 About these instructions

1.1 Target group

These mounting instructions are intended for:

- Engineers and architects charged with the planning of I support systems.
- Electrically trained specialists charged with installing I support systems.

1.2 Relevance of these instructions

- These instructions are based on the standards valid at the time of compilation (October 2019).
- Please read the instructions carefully before starting installation. We will not accept any warranty claims for damage caused through non-observance of these instructions.
- Any images are intended merely as examples. Mounting results may look different.

1.3 Types of warning information



Note!

Type of risk!

Shows a possibly risky situation. If the situation is not avoided, then death or serious injury may result.

Indicates important information or assistance!

2 Correct use

The I support system is used for supporting and routing all types of cable trays and cable ladders. Depending on the material and surface design, it can be used indoors and outdoors.

The I support system is suitable for use at ambient temperatures of -20 °C to $+120\text{ °C}$. At temperatures below -20 °C , the material will become brittle and may not be processed further.

The I support system is not designed for any other purpose than the one described here. If the I support system is used for another purpose, any liability, warranty or damage claims shall be rendered null and void.

2.1 Basic standards

The I support system fulfils the requirements of IEC 61537:2006

- Cable management – Cable tray systems and cable ladder systems.

3 Safety

3.1 General safety information

Observe the following general safety information on handling the I support system:

- Follow applicable working, accident and environmental protection regulations.
- The I support system should be included in the protective measures and the equipotential bonding.
- Have the inclusion in the equipotential bonding of the overall system performed by specialist personnel.
- Design the support system according to the loads to be expected.
- Do not exceed the maximum support load of the I support system.
- During mounting, take the structure of the wall and ceiling into account.

3.2 Personal protective equipment

- During all mechanical mounting work, wear personal protective equipment:
 - Gloves
 - Eye protection
 - Head protection

4 System description

I support systems for cable support structures are used in situations where high loads must be carried, large distances must be bridged and difficult routes must be implemented. The systems allow large support spacings or wide-span systems or multi-layer structuring of cable trays and cable ladder systems. The systems comprise I hanging supports, support brackets, head plates, I supports and I support connectors, as well as carrier lugs and mounting angles. The high load capacity of all the system components and the wide range of accessories permit the mounting of complex structures.

4.1 System components

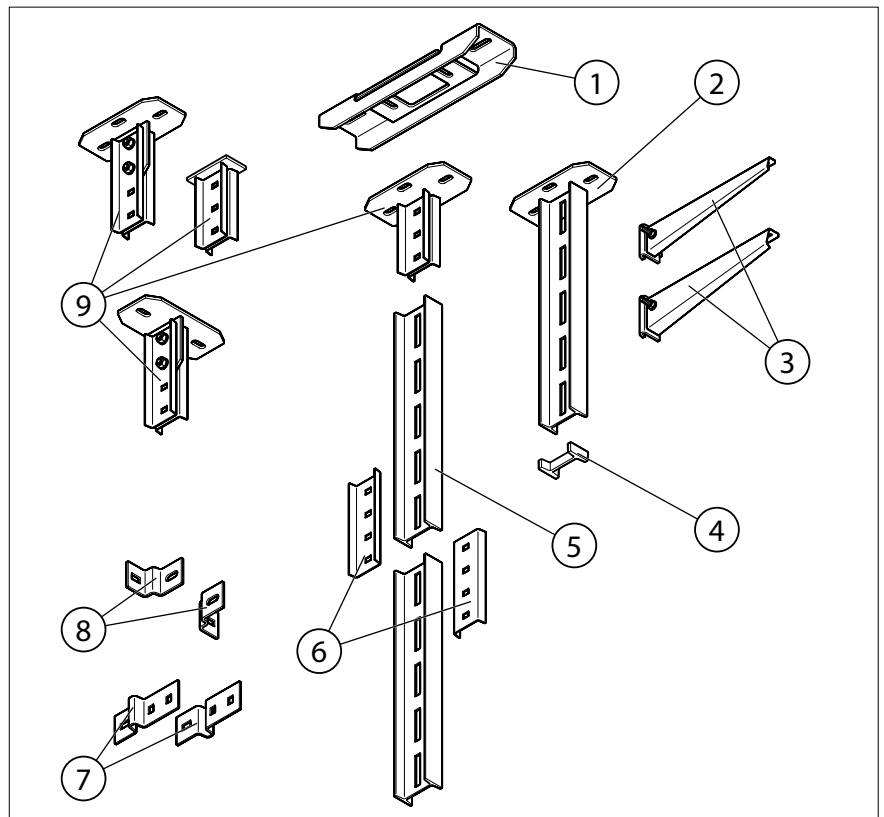


Fig. 1: System components

	Component	Function
①	Adapter head plate, symmetrical	Increase in the load capacity of the overall system
②	I hanging support	Mounting on horizontal concrete ceiling, acceptance of support brackets
③	Support bracket	Mounting on I support and I hanging support, support for cable tray/cable ladder
④	End cap	End cover of I hanging support and I support
⑤	I support	Extension of I hanging support, construction of traverses
⑥	I support connector	Connection of I supports

	Component	Function
⑦	Carrier lug	Connection of I supports when constructing traverses
⑧	Mounting angle	Direct wall mounting of I supports
⑨	Head plate	Mounting on with I support horizontal concrete ceiling

Tab. 1: System components

4.2 Accessories

4.2.1 Earthing terminal

Depending on the mounting situation, equipotential bonding with the overall system may be required, see IEC 61537:2006.

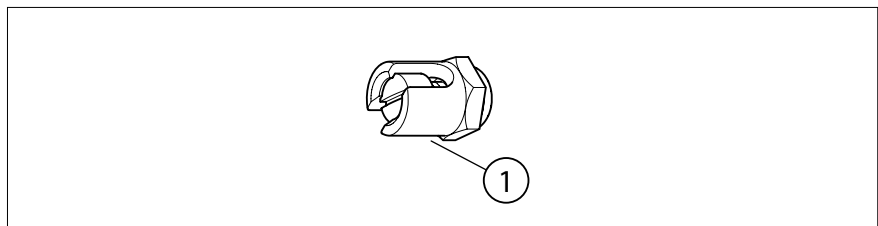


Fig. 2: Earthing terminal

① Earthing terminal

4.2.2 Fastening material

Depending on the structure of the mounting substrate, use suitable fastening materials in the wall or ceiling.

OBO offers the following fastening systems:

Substrate	Fastening material type
Concrete	N, N-K, BZ, BZ-U, BZ-IG, SZ-B, ES, Easy, MMS-plus
Masonry	MMS-plus, HMS-KS, injection tie

The characteristic load values for the fastening anchors can be found in the appropriate tables and the approved load capacity of the individual system components in the appropriate load diagrams in the current catalogue.

<https://obo-bettermann.com/en-wo/support/3804.html>

5 Mounting system components



WARNING

Danger due to high working height!

When installing at height, there is a risk of falling and/or that parts may fall. Falls and/or falling components can cause serious injuries.

- Do not work alone.
- Use fall protection as required.
- Secure the area below the installation against access.
- Wear safety shoes and a helmet.

Note!

Tighten bolts and nuts with the torque to be complied with.

Torques and tightness classes of the supplied screws:

<https://obo-bettermann.com/en-wo/support/3804.html>

5.1 Mounting fastening material

In these mounting instructions, only one system with bolt tie, washer and nut will be shown with regard to wall and ceiling mounting. A combination nut can be used as an alternative to the washer and nut.

Note!

To prevent loosening of screw connections through vibrations, screw locks can be attached. Possible screw locks are nuts with an internal plastic ring or a screw locking adhesive, e.g. Loctite (item no. 2362940).

1. Drill the anchor hole.
2. Blow out the anchor hole.
3. Knock in the bolt tie.
4. Push the system onto the bolt thread and fix with washers and nuts or combination nuts.

5.2 Mounting the I hanging support

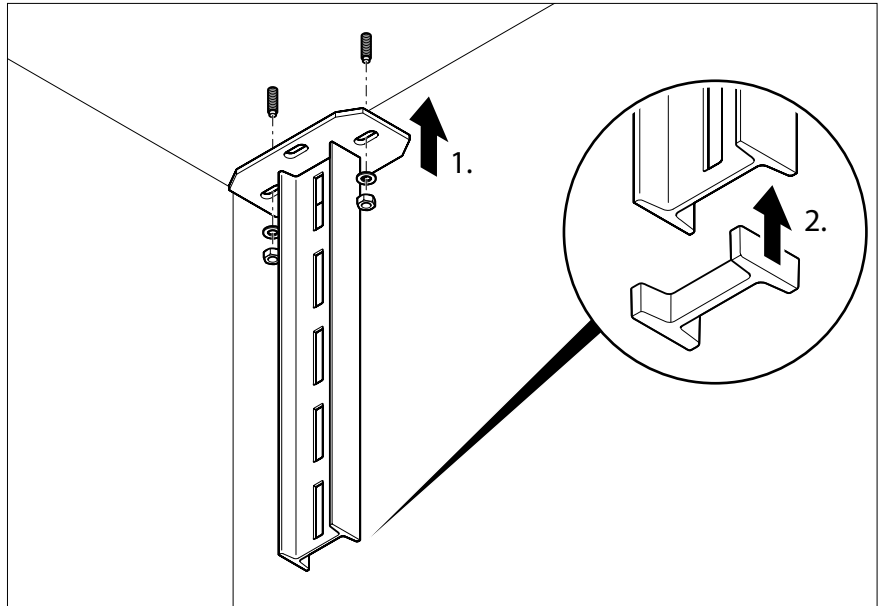


Fig. 3: Mounting the I hanging support

1. Place the I hanging support on the bolt thread and screw together with washers and nuts.
2. Attach the end caps.

5.3 Mounting the adapter head plate

Example: In combination with I hanging support and two wall and support brackets.

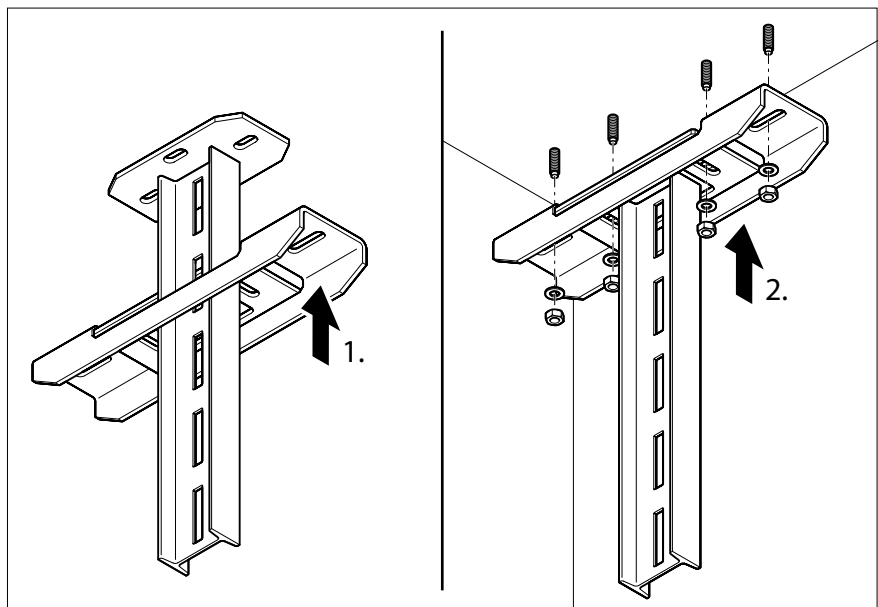


Fig. 4: Mounting the adapter head plate

1. Push the head plate over the I hanging support.
2. Place the mounted unit on the bolt thread and screw together with washers and nuts.

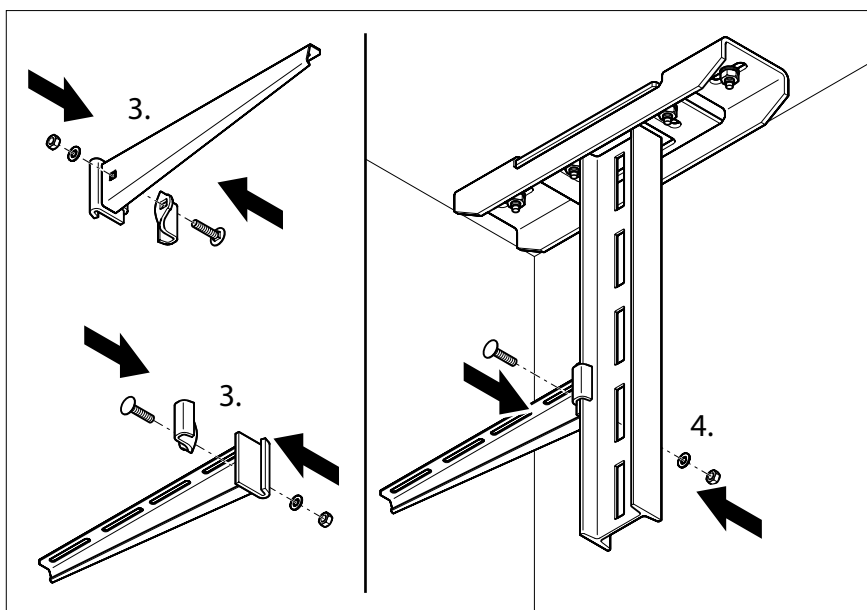


Fig. 5: Mounting the first wall bracket

3. Pre-mount the clamping lugs on the wall support.
4. Position the first wall support on the I hanging support and screw it tight.

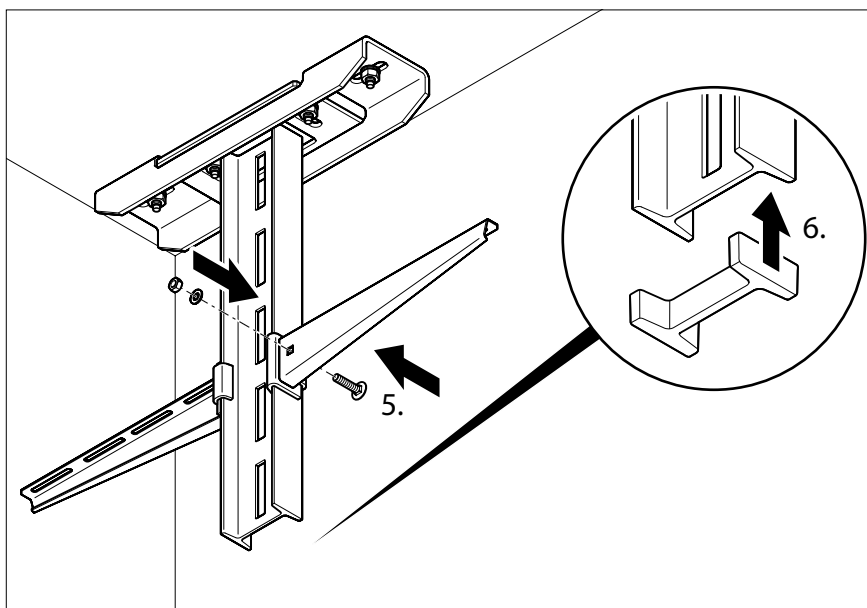


Fig. 6: Mounting the second wall bracket and protective cap

5. Position the second wall support on the I hanging support and screw it tight.
6. Attach the end cap.

5.4 Mounting the head plate

Example: In combination with I supports, mounted as a traverse.

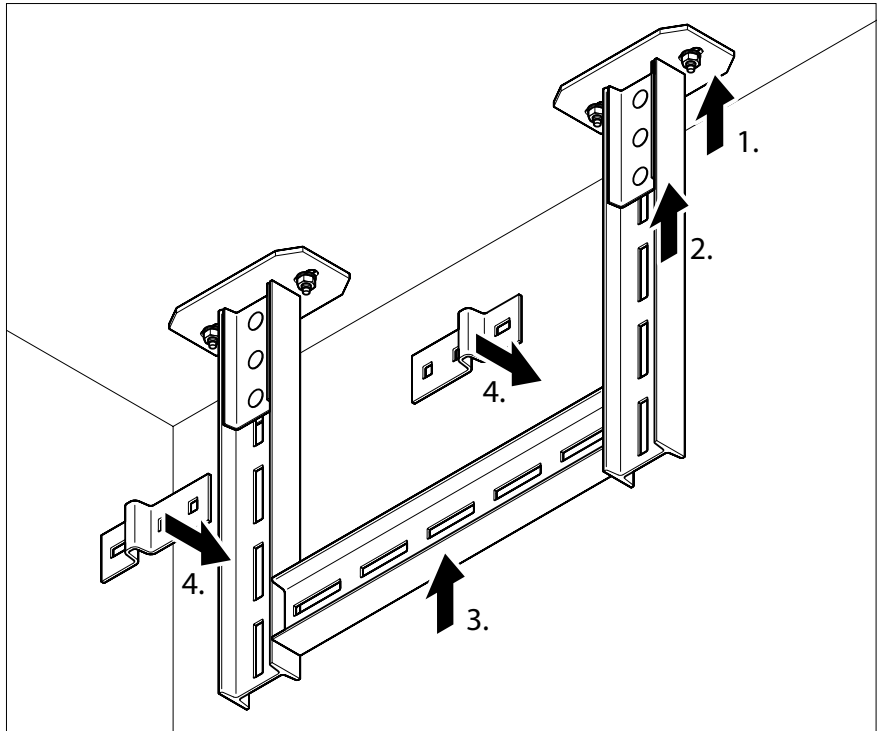


Fig. 7: Mounting the head plate with I supports

1. Place the head plate on the bolt thread and screw together with washers and nuts.
2. Push the I hanging support into the head plate and screw it to the head plate.
3. Shorten the I support to the right length and place it between the I supports mounted as hanging supports.
4. Attach the carrier lug.

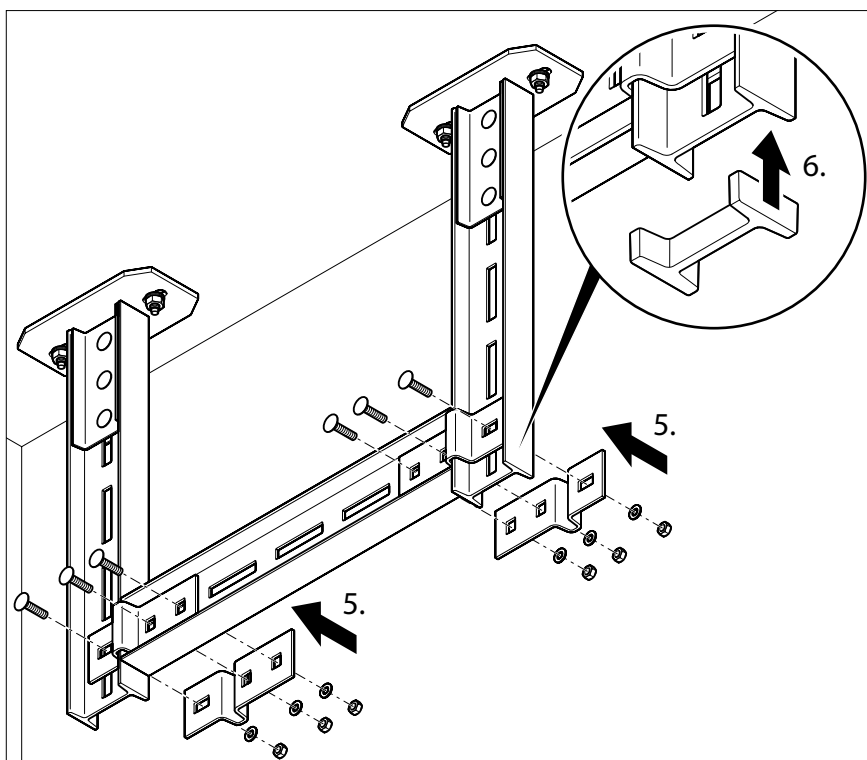


Fig. 8: Mounting the traverse

5. Attach the second carrier lug to the I supports and screw it tight.
6. Attach the end caps.

5.5 Mounting the I support on the wall

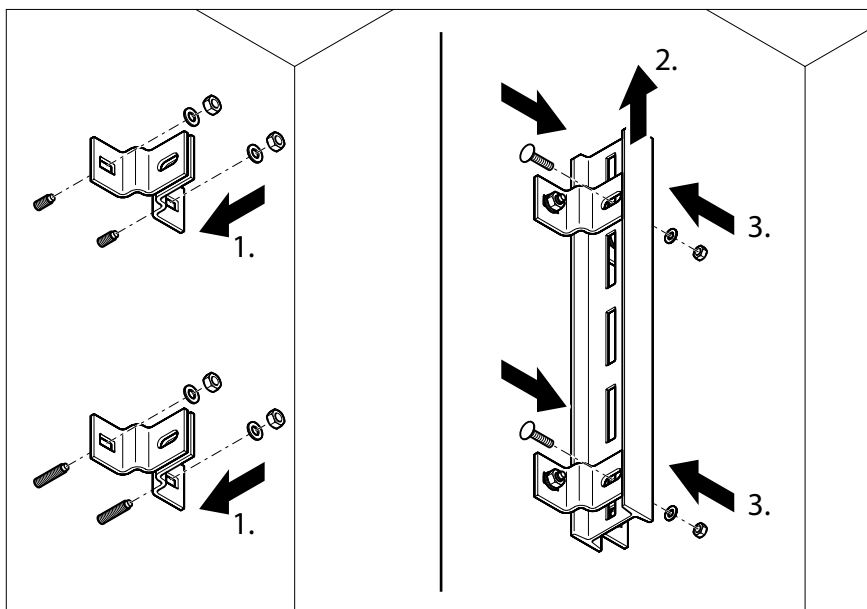


Fig. 9: Mounting the I support on the wall

1. Place the mounting angles on the bolt thread and secure with washers and nuts.
2. Push the I support between the mounting angles.
3. Screw the mounting angles to the I support.

5.6 Mounting the variable head plate

Example: In combination with an I support.

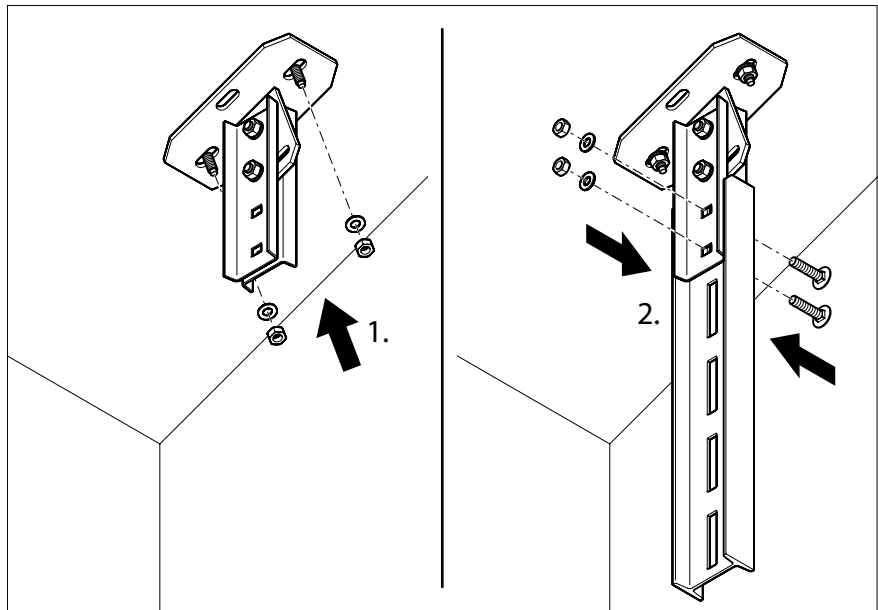


Fig. 10: Mounting the variable head plate

1. Place the variable head plate on the bolt thread and screw together with washers and nuts.
2. Insert the I support in the variable head plate and secure with screws, washers and nuts.

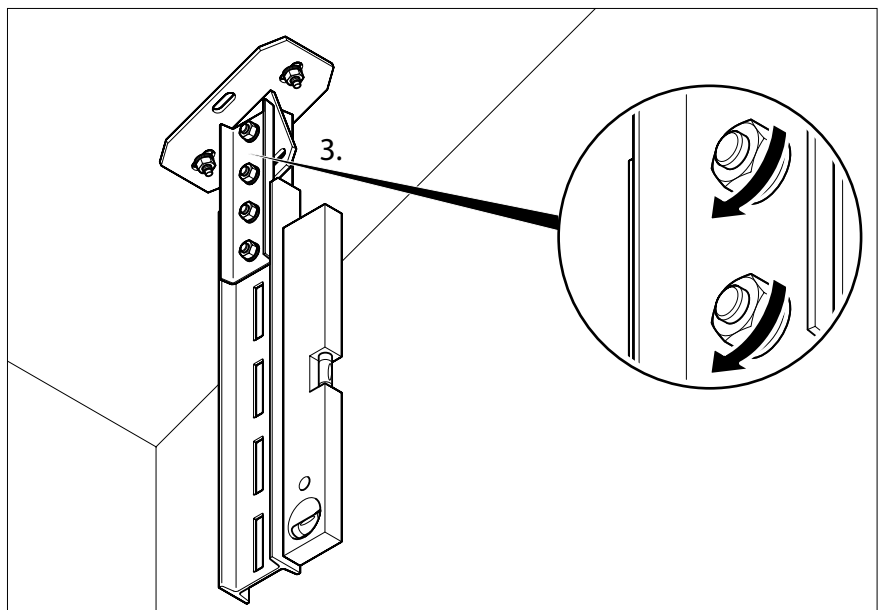


Fig. 11: Vertically aligning the I support

3. Loosen the screw connections slightly, align the I support vertically and screw the screw connections tight again.

5.7 Connecting I supports

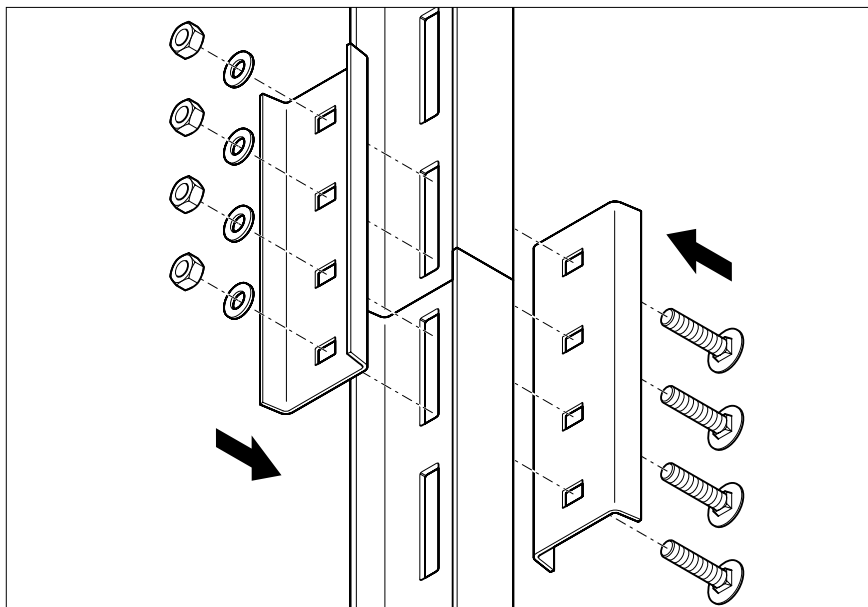


Fig. 12: Connecting I supports

1. Screw the I supports to I support connectors.

6 Creating equipotential bonding



Risk of electric shock!

A lack of equipotential bonding can, in cases of damage, mean that parts of the I support system may be energised. If contact creates a conductive connection, this can lead to fatal injuries.

- Creating equipotential bonding.

The equipotential bonding is created on the cable tray or cable ladder mounted on the support structure.

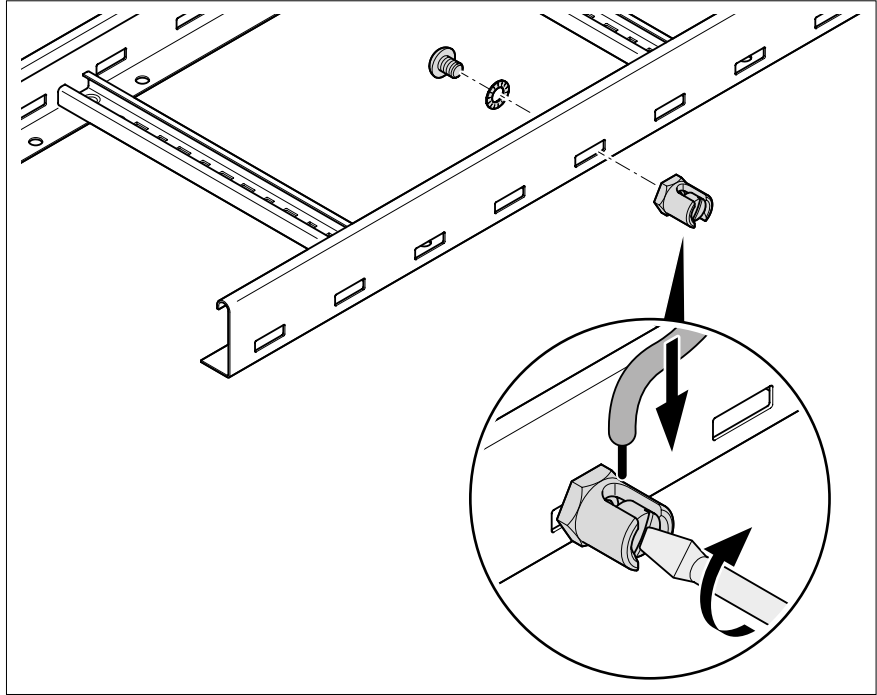


Fig. 13: Mounting the earthing terminal

1. Screw the earthing terminal to the component.
2. Electrically connect the earthing terminal to the overall equipotential bonding.

7 Maintenance of I support systems

The stability and function of the I support systems can be impaired by external influences, such as damage or machine vibrations.

Tighten loose connection elements and, if necessary, apply a screw lock using nuts with an internal plastic ring or a screw locking adhesive. Replace damaged parts. Check regularly to see if the connection to the overall equipotential bonding is still intact.

8 Dismantling I support systems



WARNING

Danger due to high working height!

When installing at height, there is a risk of falling and/or that parts may fall. Falls and/or falling components can cause serious injuries.

- Do not work alone.
 - Use fall protection as required.
 - Secure the area below the installation against access.
 - Wear safety shoes and a helmet.
-

Dismantling of all the elements of the I support systems takes place in the reverse order to mounting.

9 Disposing of I support systems

- Residual metal: As scrap metal
- Packaging: As household waste

Comply with the local waste disposal regulations.

10 Technical data

Designation	Type	Dimensions, mm	Material	Item no.
IS 8 hanging support	IS 8 K 20 FT	200 x 200	FT	6361021
IS 8 hanging support	IS 8 K 30 FT	300 x 200	FT	6361056
IS 8 hanging support	IS 8 K 40 FT	400 x 200	FT	6361072
IS 8 hanging support	IS 8 K 50 FT	500 x 200	FT	6361099
IS 8 hanging support	IS 8 K 60 FT	600 x 200	FT	6361110
IS 8 hanging support	IS 8 K 70 FT	700 x 200	FT	6361137
IS 8 hanging support	IS 8 K 80 FT	800 x 200	FT	6361153
IS 8 hanging support	IS 8 K 90 FT	900 x 200	FT	6361188
IS 8 hanging support	IS 8 K 100 FT	1,000 x 200	FT	6361218
IS 8 hanging support	IS 8 K 110 FT	1,100 x 200	FT	6361234
IS 8 hanging support	IS 8 K 120 FT	1,200 x 200	FT	6361250
IS 8 hanging support	IS 8 K 130 FT	1,300 x 200	FT	6361277
IS 8 hanging support	IS 8 K 140 FT	1,400 x 200	FT	6361293
IS 8 hanging support	IS 8 K 150 FT	1,500 x 200	FT	6361315
IS 8 hanging support	IS 8 K 160 FT	1,600 x 200	FT	6361331
IS 8 hanging support	IS 8 K 170 FT	1,700 x 200	FT	6361366
IS 8 hanging support	IS 8 K 180 FT	1,800 x 200	FT	6361382
IS 8 hanging support	IS 8 K 200 FT	2,000 x 200	FT	6361420
End cap	IS 8 KS OR	45 x 83	PE	6338519
IS 8 hanging support	IS 8 30 FT	300 x 80 x 42	FT	6337031
IS 8 hanging support	IS 8 40 FT	400 x 80 x 42	FT	6337058
IS 8 hanging support	IS 8 50 FT	500 x 80 x 42	FT	6337066
IS 8 hanging support	IS 8 60 FT	600 x 80 x 42	FT	6337074
IS 8 hanging support	IS 8 70 FT	700 x 80 x 42	FT	6337082
IS 8 hanging support	IS 8 80 FT	800 x 80 x 42	FT	6337090
IS 8 hanging support	IS 8 90 FT	900 x 80 x 42	FT	6337104
IS 8 hanging support	IS 8 100 FT	1,000 x 80 x 42	FT	6337112
IS 8 hanging support	IS 8 110 FT	1,100 x 80 x 42	FT	6337120
IS 8 hanging support	IS 8 120 FT	1,200 x 80 x 42	FT	6337139
IS 8 hanging support	IS 8 130 FT	1,300 x 80 x 42	FT	6337147
IS 8 hanging support	IS 8 140 FT	1,400 x 80 x 42	FT	6337155
IS 8 hanging support	IS 8 150 FT	1,500 x 80 x 42	FT	6337163
IS 8 hanging support	IS 8 160 FT	1,600 x 80 x 42	FT	6337171
IS 8 hanging support	IS 8 170 FT	1,700 x 80 x 42	FT	6337198
IS 8 hanging support	IS 8 180 FT	1,800 x 80 x 42	FT	6337201
IS 8 hanging support	IS 8 190 FT	1,900 x 80 x 42	FT	6337228
IS 8 hanging support	IS 8 200 FT	2,000 x 80 x 42	FT	6337236
IS 8 hanging support	IS 8 300 FT	3,000 x 80 x 42	FT	6337244
IS 8 hanging support	IS 8 600 FT	6,000 x 80 x 42	FT	6337252
I support connector	VIS 8 FT	200 x 68	FT	6018300
Head plate, lengthwise	KI 8 FT	150 x 100	FT	6347053
Head plate, crosswise	KI 8 NOK FT	200 x 100	FT	6347061
Head plate, variable	KI 8 VQP FT	200 x 200 x 68	FT	6348106
Head plate, variable, longitudinal	KI 8 VLK FT	200 x 200 x 68	FT	6348157
Head plate, variable, transverse	KI 8 VLP FT	200 x 200 x 68	FT	6347843
Head plate for welding	KI 8 AOX FT	150 x 100	FT	6347088
Adapter head plate, symmetrical	KA-SY FT	400 x 50	FT	6346804
Support bracket AS 15	AS 15 11 FT	110 x 50	FT	6421326
Support bracket AS 15	AS 15 16 FT	160 x 55	FT	6421334
Support bracket AS 15	AS 15 21 FT	210 x 60	FT	6421350
Support bracket AS 15	AS 15 31 FT	310 x 65	FT	6421385
Support bracket AS 15	AS 15 41 FT	410 x 70	FT	6421423
Support bracket AS 15	AS 15 51 FT	510 x 75	FT	6421466
Support bracket AS 15	AS 15 61 FT	610 x 80	FT	6421490
Support bracket AS 30	AS 30 11 FT	110 x 60	FT	6419370

Designation	Type	Dimensions, mm	Material	Item no.
Support bracket AS 30	AS 30 16 FT	160 x 65	FT	6419376
Support bracket AS 30	AS 30 21 FT	210 x 70	FT	6419382
Support bracket AS 30	AS 30 31 FT	310 x 80	FT	6419388
Support bracket AS 30	AS 30 41 FT	410 x 80	FT	6419394
Support bracket AS 30	AS 30 51 FT	510 x 90	FT	6419400
Support bracket AS 30	AS 30 61 FT	610 x 100	FT	6419412
Support bracket AS 30	AS 30 71 FT	710 x 100	FT	6419418
Support bracket AS 55	AS 55 21 FT	210 x 90	FT	6419286
Support bracket AS 55	AS 55 31 FT	310 x 110	FT	6419292
Support bracket AS 55	AS 55 41 FT	410 x 130	FT	6419298
Support bracket AS 55	AS 55 51 FT	510 x 145	FT	6419304
Support bracket AS 55	AS 55 61 FT	610 x 165	FT	6419316
Support bracket AS 55	AS 55 71 FT	710 x 195	FT	6419322
Support bracket AS 55	AS 55 81 FT	810 x 195	FT	6419328
Support bracket AS 55	AS 55 91 FT	910 x 195	FT	6419334
Support bracket AS 55	AS 55 101 FT	1,010 x 195	FT	6419340

Legend

FT = Hot-dip galvanised

PE = Polyethylene

OBO Bettermann Holding GmbH & Co. KG

P.O. Box 1120
58694 Menden
Germany

Customer Service Germany

Tel.: +49 (0)2371 7899-2000
Fax: +49 (0)2371 7899-2500
E-mail: info@obo.de

www.obo-bettermann.com

Building Connections