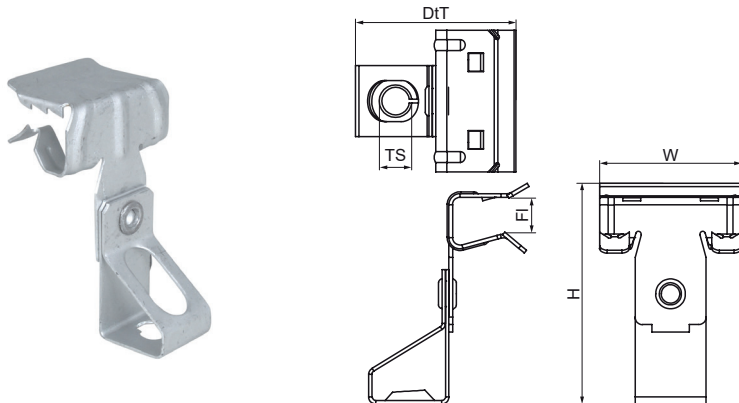


## Walraven Britclips® FC ICT

(J0545)

for flange



### Features & benefits

- for a solid fixing to steel construction without the need for welding or drilling
- with threaded rod holder (rod height adjustable by screwing)
- material: spring steel (type CS70)
- surface treatment: Delta-Tone 9000 (480 hours)

| Product Number          | Flange    | Thread Size | Total Height | Total Width | Total Depth           | Maximum Allowed Load Faz |
|-------------------------|-----------|-------------|--------------|-------------|-----------------------|--------------------------|
| <i>Reference letter</i> | <i>Fl</i> | <i>TS</i>   | <i>H</i>     | <i>W</i>    | <i>D<sub>t</sub>T</i> | <i>F<sub>a,z</sub></i>   |
| <i>Unit description</i> | <i>mm</i> |             | <i>mm</i>    | <i>mm</i>   | <i>mm</i>             | <i>N</i>                 |
| 50420609                | 4-8       | M6          | 55           | 38          | 42                    | 650                      |
| 50420616                | 8-14      | M6          | 61           | 38          | 42                    | 650                      |
| 50420620                | 14-20     | M6          | 64           | 38          | 42                    | 650                      |
| 50420809                | 4-8       | M8          | 55           | 38          | 42                    | 700                      |
| 50420816                | 8-14      | M8          | 61           | 38          | 42                    | 700                      |