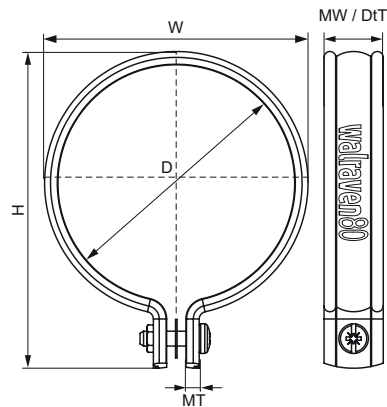


Walraven PVC Pipe Clamp

(C2005)

for plastic and rain water pipes



Features & benefits

- one-part clamp
- for fixing of PVC rain water pipes
- for fixing of PVC pipe
- material: hard PVC (polyvinylchloride), grey
- UV-stabilized

Product Number	Outside Pipe Diameter	DN	Connection Thread	Material Width	Material Thickness	Total Height	Total Width	Total Depth	Maximum Allowed Load Faz
Reference Letter	D	D	G	MW	MT	H	W	DtT	F _{0,z}
Unit description	mm			mm	mm	mm	mm	mm	N
1300032	32	DN 25	None	20	4.00	60	41	20	700
1300040	40	DN 32	None	20	4.00	67	49	20	700
1300050	50	DN 40	None	20	4.00	78	59	20	700
1300060	60	DN 50	None	20	4.00	87	69	20	700
1300070	70	DN 65	None	20	4.00	97	79	20	700
1300075	75	DN 70	None	20	4.00	102	84	20	700
1300080	80	DN 70	None	20	4.00	107	89	20	700
1300090	90	DN 80	None	20	4.00	117	99	20	700
1300100	100	DN 80	None	20	4.00	127	109	20	700
1300110	110	DN 100	None	20	4.00	137	119	20	700
1300125	125	DN 100	None	20	4.00	152	134	20	700