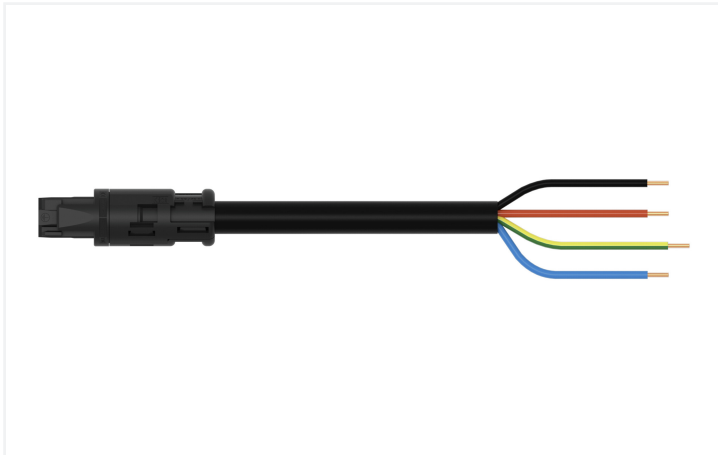


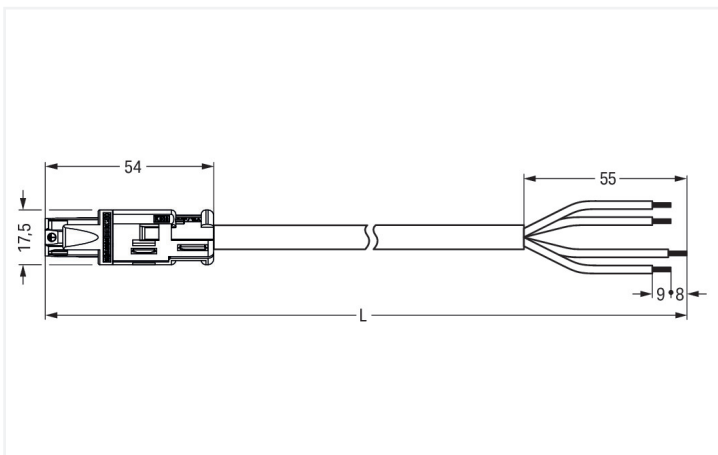
Data Sheet | Item Number: 774-9994/116-201

pre-assembled connecting cable; Eca; Socket/open-ended; 4-pole; Cod. A;
H05Z1Z1-F 4G 1.5 mm²; 2 m; 1,50 mm²; black

<https://www.wago.com/774-9994/116-201>



Color: ■ black



Dimensions in mm

Cable assembly *WINSTA*® RD with strain relief

The *WINSTA*® RD cable assembly with protection against mismatching is the pluggable solution for your application in control cabinets, for lighting connections or on PCBs. Our pluggable installation connectors with spring pressure connection technology work completely without screw connections. They allow flexible, error-free installation in numerous possible uses. For greater security in electrical installations, the pluggable installation connector

is provided with mechanical protection against mismatching. The pluggable installation connector is protected against ingress by solid objects in accordance with protection type IP20 (When mated: IP2xC (These compact connectors are not designed for use in open, easily accessible areas!)). WINSTA® RD: Solutions from this product line fit into drill holes and conduits with diameters up to 20 mm. This product meets all the relevant safety requirements of fire class E; as a result it can be used in areas where fire safety is relevant. Not using halogen additives in the production of this cable assembly substantially improves fire safety and minimises environmental pollution.

Fast, secure pluggable connections – cable assemblies from WAGO

The cable assembly is equipped with a socket and a free end. The WINSTA® Pluggable Connection System allows pluggable electrical installation. This significantly reduces the need for servicing and lowers costs. Choose quality and durability – with fire class E from WAGO makes the electrical installation of electrical components substantially easier.

- effective protection against mismatching
- products perfectly tailored to your requirements guarantee safe use
- with A coding for a great number of uses
- custom-engineered solutions
- convenient installation and commissioning

Notes

Note Cables with a different fire class can be found in the eShop.

Electrical data

| Ratings per | IEC/EN 60664-1 | | |
|---------------------------------|----------------|-----|----|
| Overvoltage category | III | III | II |
| Pollution degree | 3 | 2 | 2 |
| Nominal voltage | 250 V | - | - |
| Rated impulse withstand voltage | 4 kV | - | - |
| Rated current | 16 A | - | - |

General information

Note on contact resistance approx. 1 mΩ of contact resistance
approx. 0.25 mΩ contact transition plug/socket

Connection Data

| | |
|----------------------------|---------------------------|
| Total number of potentials | 4 |
| Conductor preparation | ultrasonically tip-bonded |

Connection 1

| | |
|---------------------------------|---------------------|
| Strip length | 9 mm / 0.35 inches |
| Pole number | 4 |
| Wire cross-section | 1.5 mm ² |
| Strip length (outer insulation) | 55 mm |
| Connection type | Socket - free end |

Physical data

| | |
|--------------|------------------------|
| Width | 17.5 mm / 0.689 inches |
| Height | 17.5 mm / 0.689 inches |
| Total length | 2 m |

Mechanical data

| | |
|-----------------------------------------|----------------------------------------------------------|
| Use | General mains applications |
| Coding | A |
| Variable coding | No |
| Marking | N ⊕ 2 1 |
| Mating force of a plug-in connection | Approx. 30 ... 70 N (depending on pole number) |
| Retention force of a plug-in connection | when locked: > 80N |
| Unmating force of a plug-in connection | Unlocked: approx. 30 ... 70 N (depending on pole number) |
| Number of mating cycles | 200, without resistive load |
| Connection type | Socket - free end |
| Type of pre-assembled cable | Connecting cable |

Mechanical data

| | |
|-----------------|---------------------------------------------------------------------------------------------------------------|
| Cable type | H05Z1Z1-F 4G1.5 |
| Protection type | IP20; When mated: IP2xC (These compact connectors are not designed for use in open, easily accessible areas!) |

Plug-in connection

| | |
|-------------------------------|--------------------------------------------------------------------------------------------------------------------------------------------------------------------------------------------------|
| Mismating protection | Yes |
| Note on mismating protection | All WINSTA® components are 100% protected against mismating when: a.) plugging different numbers of poles b.) plugging while incorrectly rotated c.) plugging while laterally staggered |
| Locking lever | Yes |
| Locking of plug-in connection | Locking lever |

Material data

| | |
|------------------------------------|--------------------------------------------------------------------------|
| Note (material data) | Information on material specifications can be found here |
| Color | black |
| Insulation material (main housing) | Polyamide (PA66) |
| Fire class per EN 50575 | E _{ca} |
| Contact material | Copper or copper alloy; surface-treated |
| Contact Plating | Tin |
| Fire load | 59.413 MJ |
| Connector color | black |
| Strain relief color | black |
| Sheathed cable color | black |
| Printing color of sheathed cable | white |
| Halogen-free | Yes |
| Silicon-free | Yes |
| Sheath material | Halogen-free |
| Rubber cable | No |
| Weight | 241.4 g |
| Copper weight of the raw cable | 0.058 kg/m |

Environmental requirements

| | |
|------------------------------------------|-------------------------------------------------------------------------------------------------------|
| Processing temperature | -5 ... +40 °C |
| Continuous operating temperature | -35 ... +85 °C |
| Note on continuous operating temperature | Cable for temperatures ≤ 70 °C (including halogen-free) Insulating parts for temperatures ≤ 105 °C |

Commercial data

| | |
|-----------------------|---------------|
| PU (SPU) | 1 pcs |
| Packaging type | unpacked |
| Country of origin | DE |
| GTIN | 4045454346119 |
| Customs tariff number | 85444290900 |

Product Classification

| | |
|-------------|----------------------|
| UNSPSC | 26121629 |
| eCl@ss 10.0 | 27-44-06-04 |
| eCl@ss 9.0 | 27-44-06-04 |
| ETIM 9.0 | EC002587 |
| ETIM 10.0 | EC002587 |
| ECCN | NO US CLASSIFICATION |

Environmental Product Compliance

| | |
|------------------------|-------------------------|
| RoHS Compliance Status | Compliant, No Exemption |
|------------------------|-------------------------|

Approvals / Certificates

General approvals **Declarations of conformity and manufacturer's declarations**



| Approval | Standard | Certificate Name |
|---------------------------------------|----------|------------------|
| CCA DEKRA Certification B.V. | - | NTR NL 6374 |
| CCA DEKRA Certification B.V. | EN 61535 | NTR NL-7969 |
| CCA DEKRA Certification B.V. | EN 61984 | NTR NL-7848 |
| KEMA/KEUR DEKRA Certification B.V. | EN 61535 | 71-123229 |
| KEMA/KEUR DEKRA Certification B.V. | EN 61984 | 71-114944 |
| KEMA/KEUR DEKRA Certification B.V. | - | 2118353.01 |

| Approval | Standard | Certificate Name |
|---------------------------------------------------------|----------|------------------|
| EU-Declaration of Confor- mity WAGO GmbH & Co. KG | - | - |
| UK-Declaration of Confor- mity WAGO GmbH & Co. KG | - | - |

Downloads

Environmental Product Compliance

| Compliance Search | |
|------------------------------------------------------|-------------------|
| Environmental Product Compliance 774-9994/116-201 | ↓ |

Documentation

| Bid Text | | | |
|------------------|------------|-----------------|-------------------|
| 774-9994/116-201 | 19.02.2019 | xml 3.04 KB | ↓ |
| 774-9994/116-201 | 08.01.2015 | doc 24.00 KB | ↓ |

CAD/CAE-Data

CAE data

EPLAN Data Portal
774-9994/116-201



WSCAD Universe
774-9994/116-201

