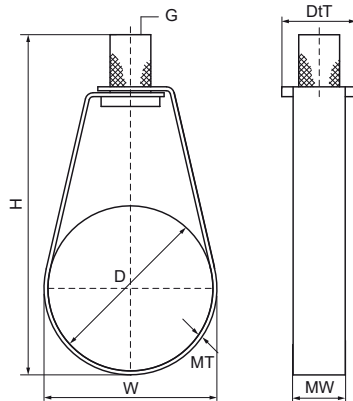


## Walraven Sprinkler Clamp TA41

(B1215)

for sprinkler pipes



### Features & benefits

- one-part clamp
- for sprinkler pipes up to 8" (221 mm)
- with knurled nut for fixing to stud bolt or threaded rod
- material: steel
- clamp: pre-galvanized; nut: zinc plated
- with FM approval - certificate number 3024336
- UL listed - certificate number VFXT.EX9140



Product Number	Outside Pipe Diameter	DN	Pipe Diameter Imperial	Connection Thread	Material Width	Material Thickness	Total Height	Total Width	Total Depth	Approvals	Maximum Allowed Load Faz
Reference Letter	D	D	D	G	MW	MT	H	W	DtT		Fa,z
Unit description	mm		"		mm	mm	mm	mm	mm		N
4535021	23	DN 15	1/2	M10	16	1.00	87	27	23	FM, UL, ITB (KOT), EPD	1,500
4535027	28	DN 20	3/4	M10	16	1.00	85	30	23	FM, UL, ITB (KOT), EPD	1,500
4535034	35	DN 25	1	M10	16	1.00	91	36	23	FM, UL, ITB (KOT), EPD	1,500
4535042	44	DN 32	1 1/4	M10	16	1.00	100	45	23	FM, UL, ITB (KOT), EPD	1,500
4535048	50	DN 40	1 1/2	M10	16	1.00	102	51	23	FM, UL, ITB (KOT), EPD	1,500
4535060	62	DN 50	2	M10	16	1.00	118	64	23	FM, UL, ITB (KOT), EPD	1,500
4535076	77	DN 65	2 1/2	M10	22	2.00	133	79	22	FM, UL, ITB (KOT), EPD	4,500
4535089	90	DN 80	3	M10	22	2.00	147	95	22	FM, UL, ITB (KOT), EPD	4,500
4535114	115	DN 100	4	M10	22	2.00	180	120	22	FM, UL, ITB (KOT), EPD	4,500
4535140	142	DN 125	5	M12	27	3.00	213	150	35	FM, UL, ITB (KOT)	5,200
4535168	170	DN 150	6	M12	27	3.00	244	177	35	FM, UL, ITB (KOT)	5,200
4535219	221	DN 200	8	M12	27	3.00	314	228	35	FM, UL, ITB (KOT)	5,200