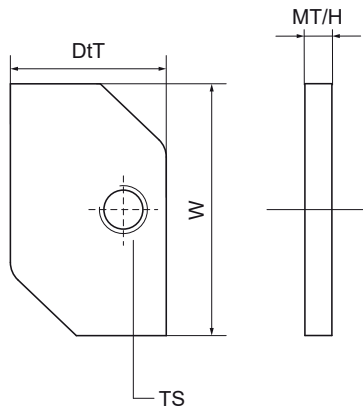


## Walraven Slide Nut 651D - 50x40

(G3015)

threaded plate to connect components to rails



### Features & benefits

- threaded plate to connect accessories to fixing rail and cantilever arm
- suitable for profile 50x40
- material: steel
- zinc plated

Product Number	For Rail Type	Thread Size	Material Thickness	Maximum Allowed Load Faz	Total Height	Total Width	Total Depth
<i>Reference letter</i>		<i>TS</i>	<i>MT</i>	<i>F<sub>a,z</sub></i>	<i>H</i>	<i>W</i>	<i>DtT</i>
<i>Unit description</i>			<i>mm</i>	<i>N</i>	<i>mm</i>	<i>mm</i>	<i>mm</i>
6515008	38x40, 50x40	M8	5.00	3,000	5	42	25