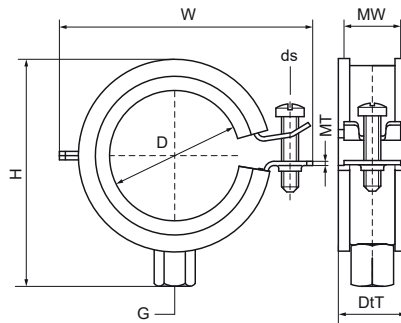


Walraven BISMAT® 2000 (M8/10) 1-screw

(A0516)

for steel, copper, cast iron and plastic (multilayer) pipe



Features & benefits

- single screw clamp
- with Walraven BISMAT® quick locking system
- material: steel
- zinc plated
- sound insulating lining according DIN 4109
- noise reduction according to ISO 3822-1 up to 23 dB(A)
- tested for fire safety



| Product Number | Outside Pipe Diameter | DN | Pipe Diameter Imperial | Connection Thread | Material Width | Material Thickness | Screw Size | Total Height | Total Width | Total Depth | Approvals | Maximum Allowed Load Faz |
|------------------|-----------------------|-------|------------------------|-------------------|----------------|--------------------|------------|--------------|-------------|-------------|---|--------------------------|
| Reference Letter | D | D | D | G | MW | MT | ds | H | W | DtT | | Fa,z |
| Unit description | mm | | " | | mm | mm | | mm | mm | mm | | N |
| 3403018 | 15 - 18 | DN 10 | 3/8 | M8/M10 | 20 | 1.00 | M6 | 46 | 47 | 25 | RAL-GZ 656, ITB (KOT), CE, ETA, ISO 3822-1, RAL-GZ 655/B, EPD | 600 |
| 3403023 | 20 - 23 | DN 15 | 1/2 | M8/M10 | 20 | 1.00 | M6 | 51 | 52 | 25 | RAL-GZ 656, ITB (KOT), CE, ETA, ISO 3822-1, RAL-GZ 655/B, EPD | 600 |
| 3403028 | 25 - 28 | DN 20 | 3/4 | M8/M10 | 20 | 1.00 | M6 | 56 | 57 | 25 | RAL-GZ 656, ITB (KOT), CE, ETA, ISO 3822-1, RAL-GZ 655/B, EPD | 600 |
| 3403035 | 31 - 35 | DN 25 | 1 | M8/M10 | 20 | 1.00 | M6 | 63 | 64 | 25 | RAL-GZ 656, ITB (KOT), CE, ETA, ISO 3822-1, RAL-GZ 655/B, EPD | 600 |
| 3403043 | 40 - 43 | DN 32 | 1 1/4 | M8/M10 | 20 | 1.25 | M6 | 71 | 72 | 25 | RAL-GZ 656, ITB (KOT), CE, ETA, ISO 3822-1, RAL-GZ 655/B, EPD | 800 |
| 3403053 | 48 - 51 | DN 40 | 1 1/2 | M8/M10 | 20 | 1.25 | M6 | 79 | 80 | 25 | RAL-GZ 656, ITB (KOT), CE, ETA, ISO 3822-1, RAL-GZ 655/B, EPD | 800 |
| 3403054 | 53 - 56 | - | - | M8/M10 | 20 | 1.25 | M6 | 84 | 85 | 25 | RAL-GZ 656, ITB (KOT), CE, ETA, ISO 3822-1, RAL-GZ 655/B, EPD | 800 |
| 3403063 | 59 - 63 | DN 50 | 2 | M8/M10 | 20 | 1.25 | M6 | 90 | 91 | 25 | RAL-GZ 656, ITB (KOT), CE, ETA, ISO 3822-1, RAL-GZ 655/B, EPD | 800 |