



Features

- Premium performance professional LED MR16 range with the same look and feel of traditional halogen MR16 lamp. Recreates backlight effect similar to halogen dichroic lamps. Full glass design - means no colours clashing between lamp and fixture. Very long lifetime of up to 25,000 hours. Switching cycles: >100,000. Colour rendering: CRI80. Lamp voltage: 12V AC/DC. Dimmable on approved dimmers. Works with magnetic and compatible electronic transformers. Warranty: 5 Years

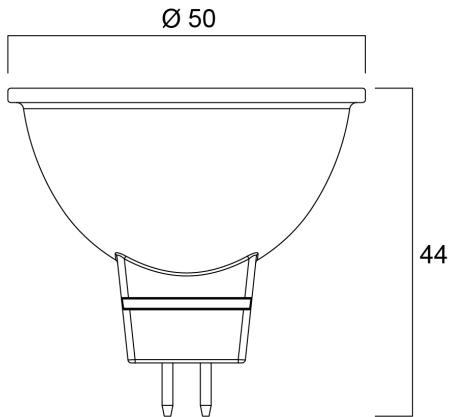
Product Overview

| | |
|--|---|
| Product name | RefLED Superia Retro MR16 V3 621LM DIM 830 36 SL |
| Technology | LED |
| Watt (Rated) (W) | 6.1 |
| Lamp shape | Reflector |
| Cap/Base | GU5.3 |
| Lamp finish | Fresnel lens |
| Fixture rating | Open |
| General application | Education, Hospitality, Museums & Galleries, Office, Residential & Consumer, Retail |
| ETIM Class | EC001959 |
| Correlated colour temperature (k) | 3000 |
| Light colour | Warm White |
| CRI (Ra) | 80 |
| Colour Variation Initial (SDCM) | 6 |
| Beam Angle (°) | 36 |
| Photobiological Risk Group | RG1 |
| Wattage (W) | 6.1 |

RefLED Superia Retro MR16 V3 621LM DIM 830 36 SL 0031822

| | |
|-----------------------------|--------------------------------|
| Power consumption (W) | 6.1 |
| Control gear type | LED driver constant current |
| Dimmable | Yes |
| Housing colour | Transparent |
| IP rating | IP20 |
| Product EAN number | 5410288318226 |
| Warranty | 3 years |
| Dimming method | Mains: leading / trailing edge |
| Useful luminous flux (#use) | 621 |

Technical drawings



Data table

GENERAL DATA

| | |
|------------------|--|
| Product name | RefLED Superia Retro MR16 V3 621LM DIM 830 36 SL |
| Technology | LED |
| Watt (Rated) (W) | 6.1 |
| Lamp shape | Reflector |
| Cap/Base | GU5.3 |
| Lamp finish | Fresnel lens |

RefLED Superia Retro MR16 V3 621LM DIM 830 36 SL 0031822

| | |
|---------------------|---|
| Fixture rating | Open |
| General application | Education, Hospitality, Museums & Galleries, Office, Residential & Consumer, Retail |
| ETIM Class | EC001959 |
| Warranty | 3 years |

OPTICAL DATA

| | |
|-----------------------------------|------------|
| Useful luminous flux (#use) | 621 |
| Correlated colour temperature (k) | 3000 |
| Light colour | Warm White |
| CRI (Ra) | 80 |
| Colour Variation Initial (SDCM) | 6 |
| Luminous Intensity (cd) | 1100 |
| Beam Angle (°) | 36 |
| Photobiological Risk Group | RG1 |

ELECTRICAL DATA

| | |
|---|--------------------------------|
| Power consumption (W) | 6.1 |
| Wattage (W) | 6.1 |
| Equivalent watt (W) | 50 |
| Current (A) | 0.7 |
| Primary Supply/Product voltage - min (V) | 12.0 |
| Primary Supply/Product voltage - max (V) | 12.0 |
| Control gear required | Yes |
| Control gear type | LED driver constant current |
| No. Of switching cycles before premature failures | >50000 |
| Dimmable | Yes |
| Dimming method | Mains: leading / trailing edge |
| Inrush Current (A) | 3.68 |
| Inrush Duration (µs) | 880 |
| Lamp Energy Label (class) | E |
| Nominal Frequency (Hz) | DC |

LIFETIME DATA

| | |
|------------------|-------|
| Lifespan L70 B50 | 25000 |
|------------------|-------|

PHYSICAL DATA

| | |
|----------------|-------------|
| Housing colour | Transparent |
|----------------|-------------|

| | |
|-----------|------|
| IP rating | IP20 |
|-----------|------|

| | |
|-----------------------------|----|
| Nominal Product Height (mm) | 44 |
|-----------------------------|----|

| | |
|-------------------------------|----|
| Nominal Product Diameter (mm) | 50 |
|-------------------------------|----|

| | |
|-------------|-------|
| Weight (kg) | 0.041 |
|-------------|-------|

PACKAGING

| | |
|--------------------|---------------|
| Product EAN number | 5410288318226 |
|--------------------|---------------|

| | |
|---------------------------------------|-----|
| Packaging single length / height (cm) | 6.1 |
|---------------------------------------|-----|

| | |
|-----------------------------|-----|
| Packaging single width (cm) | 5.1 |
|-----------------------------|-----|

| | |
|-----------------------------|-----|
| Packaging single depth (cm) | 8.2 |
|-----------------------------|-----|

| | |
|---------------|----------------|
| DUN14 (inner) | 15410288318223 |
|---------------|----------------|

| | |
|-------------------------|---|
| Units per inner package | 6 |
|-------------------------|---|

| | |
|--------------------------------------|------|
| Packaging inner length / height (cm) | 19.4 |
|--------------------------------------|------|

| | |
|----------------------------|------|
| Packaging inner width (cm) | 11.1 |
|----------------------------|------|

| | |
|----------------------------|-----|
| Packaging inner depth (cm) | 9.2 |
|----------------------------|-----|

| | |
|---------------|----------------|
| DUN14 (outer) | 25410288318220 |
|---------------|----------------|

| | |
|-------------------------|----|
| Units per outer package | 60 |
|-------------------------|----|

| | |
|--------------------------------------|------|
| Packaging outer length / height (cm) | 58.5 |
|--------------------------------------|------|

| | |
|----------------------------|------|
| Packaging outer width (cm) | 20.8 |
|----------------------------|------|

| | |
|----------------------------|------|
| Packaging outer depth (cm) | 20.8 |
|----------------------------|------|

SAFETY DATA

| | |
|--------------------------------|----------------|
| Breakage cleaning instructions | Not applicable |
|--------------------------------|----------------|

| | |
|----------------------|----|
| Special purpose lamp | No |
|----------------------|----|

| | |
|---------------------------|-----|
| Dry applications use only | Yes |
|---------------------------|-----|

| | |
|-------------------------------------|-----|
| Suitable for household illumination | Yes |
|-------------------------------------|-----|

| | |
|----------------|---------------------------------------|
| Safety message | Suitable for approved transf./dimmers |
|----------------|---------------------------------------|

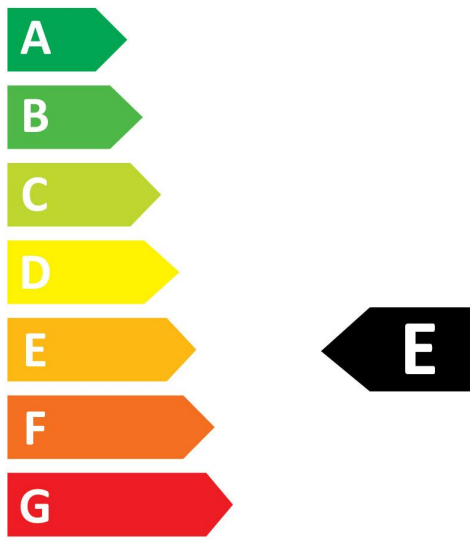
SYLVANIA

RefLED Superia Retro MR16 V3 621LM DIM 830 36 SL
0031822

Energy label



0031822



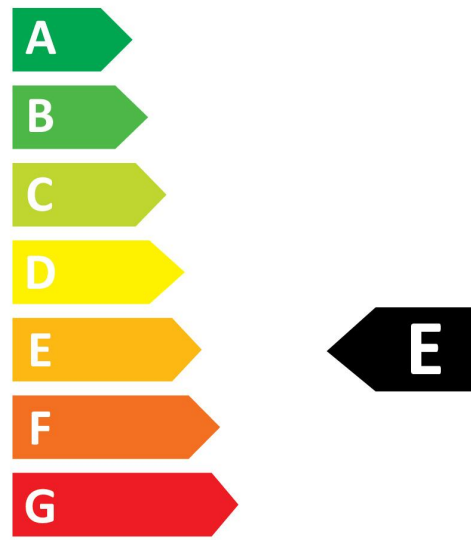
7
kWh/1000h



2019/2015



0031822



7
kWh/1000h



2019/2015

Light your world