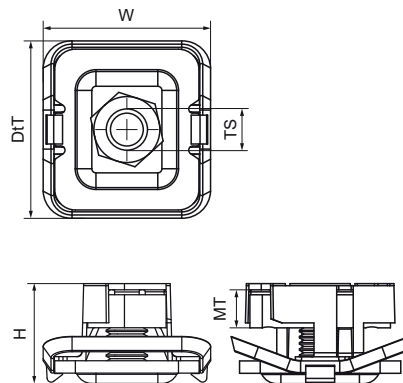


Walraven RapidStrut® Stainless Steel Slide Nut G2

(M5205)

for quick connection of clamps and threaded rods



Features & benefits

- slide nut with washer and Walraven RapidStrut® spring
- to connect pipe clamps to rails by using threaded rods
- ready-to-use pre-assembled for a quick fixing, and retains assembly in place before final tightening
- material: stainless steel 1.4401 (A4) - EN 10088, AISI 316; spring(s) made of POM (PolyOxyMethylene), blue (according to RAL 5015)



Product Number	For Rail Type	Thread Size	Material Thickness	Torque Moment For Installation	Maximum Allowed Load Fax	Maximum Allowed Load Faz	Total Height	Total Width	Total Depth
<i>Reference letter</i>		<i>TS</i>	<i>MT</i>	<i>T inst.</i>	<i>Fa,x</i>	<i>Fa,z</i>	<i>H</i>	<i>W</i>	<i>DtT</i>
<i>Unit description</i>			<i>mm</i>	<i>Nm</i>	<i>N</i>	<i>N</i>	<i>mm</i>	<i>mm</i>	<i>mm</i>
665175108	41x21, 41x41	M8	6.00	11	1,100	3,120	24.29	43.22	40.8
665175110	41x21, 41x41	M10	8.00	15	1,250	5,000	24.29	43.22	40.8