

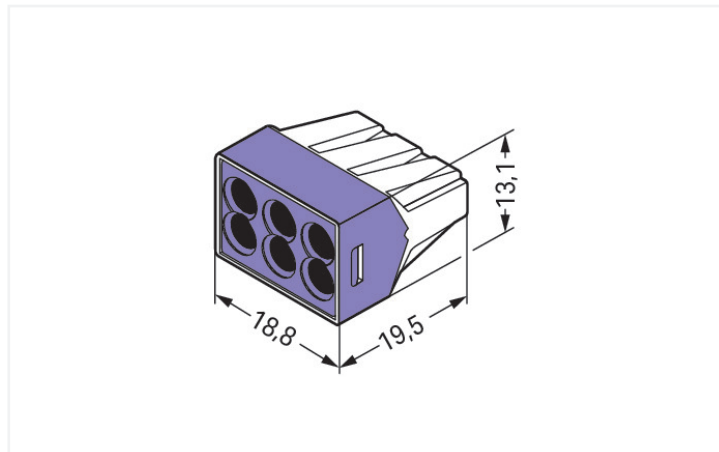
## Data Sheet | Item Number: 773-106

PUSH WIRE® connector for junction boxes; for solid and stranded conductors; max. 2.5 mm<sup>2</sup>; 6-conductor; transparent housing; violet cover; Surrounding air temperature: max 60°C; 2,50 mm<sup>2</sup>; transparent

<https://www.wago.com/773-106>



Color:  transparent



Dimensions in mm

### Notes

Safety management note

**NOTICE: Observe installation and safety instructions!**

- **Only to be used by electricians!**
- Do not work under voltage/load!
- Use only for proper use!
- Observe national regulations/standards/guidelines!
- Observe technical specifications for the products!
- Observe the number of permissible potentials!
- Do not use damaged/dirty components!
- Observe conductor types, cross-sections and strip lengths!
- Insert conductor until it hits the product's backstop!
- Use original accessories!

Safety Information

**To be sold only with installation instructions!**

in grounded power lines

### Electrical data

Ratings per	IEC/EN 60664-1		
Overvoltage category	III	III	II
Pollution degree	3	2	2
Nominal voltage	-	-	400 V
Rated surge voltage	-	-	4 kV
Rated current	-	-	24 A

### Connection data

Clamping units	6
Total number of potentials	1

#### Connection 1

Connection technology	PUSH WIRE®
Actuation type	Push-in
Connectable conductor materials	Copper Aluminum

## Connection 1

Connectable conductor materials (note)	<p><b>Terminating Aluminum Conductors (Not for use in North America)</b></p> <p>WAGO spring clamp terminal blocks are suitable for solid aluminum conductors up to 4 mm<sup>2</sup>/12 AWG if WAGO "Alu-Plus" Contact Paste <a href="#">249-130</a> is used for termination.</p> <p>"Alu-Plus" Contact Paste Advantages:</p> <ul style="list-style-type: none"> <li>• Automatically destroys the oxide film during clamping.</li> <li>• Prevents fresh oxidation at the clamping point.</li> <li>• Prevents electrolytic corrosion between aluminum and copper conductors (in the same terminal block).</li> <li>• Provides long-term protection against corrosion.</li> </ul> <p>For spring clamp connections with PUSH WIRE® connection technology, <b>WAGO recommends that the aluminum conductor first be cleaned</b> and then immediately inserted into the clamping unit filled with "Alu-Plus" contact paste.</p> <p>It is also possible to apply WAGO "Alu-Plus" <b>additionally</b> on the whole surface of the aluminum conductor before termination.</p> <p>Please note that the nominal currents must be adapted to the reduced conductivity of the aluminum conductors::</p> <p>2.5 mm<sup>2</sup> = 16 A 4 mm<sup>2</sup> = 22 A</p>
--	--

Solid conductor	0.75 ... 2.5 mm <sup>2</sup> / 18 ... 12 AWG
Stranded conductor	1.5 ... 2.5 mm <sup>2</sup> / 16 ... 12 AWG
Note (conductor cross-section)	When using conductors of the same diameter, 0.75 mm <sup>2</sup> /18 AWG cross-section is also possible.
Strip length	12 mm / 0.47 inches
Wiring direction	Side-entry wiring

## Physical data

Width	18.8 mm / 0.74 inches
Height	13.1 mm / 0.516 inches
Depth	19.5 mm / 0.768 inches

## Material data

Note (material data)	<a href="#">Information on material specifications can be found here</a>
Color	transparent
Cover color	violet
Material group	IIIa
Insulation material (main housing)	Polycarbonate (PC)
Flammability class per UL94	V2
Clamping spring material	Chrome-nickel spring steel (CrNi)
Contact material	Electrolytic copper (E <sub>Cu</sub> )
Contact Plating	Tin
Fire load	0.076 MJ
Weight	3.5 g

### Environmental requirements

Ambient temperature (operation)	+60 °C
Continuous operating temperature	105 °C

### Commercial data

Product Group	7 (Push Wire Conn.)
eCl@ss 10.0	27-14-11-04
eCl@ss 9.0	27-14-11-04
ETIM 8.0	EC000446
ETIM 7.0	EC000446
PU (SPU)	500 (50) pcs
Packaging type	Box
Country of origin	CN
GTIN	4044918397681
Customs tariff number	85369010000

### Environmental Product Compliance

RoHS Compliance Status	Compliant, No Exemption
------------------------	-------------------------

### Approvals / Certificates

#### General approvals



Approval	Standard	Certificate Name
CCA UL International Demko A/ S	EN 60998	CCA-DK No. 2520
CSA DEKRA Certification B.V.	C22.2	15411 (LR46759)
KEMA/KEUR DEKRA Certification B.V.	EN 60998	71-101747
ÖVE Österreichischer Verband für Elektrotechnik	EN 60998	1193-031-09
UL UL International Germany GmbH	UL 486C	E69654
UL UL International Germany GmbH	EN 60998	D-03479-A1

#### Declarations of conformity and manufacturer's declarations

Approval	Standard	Certificate Name
EU-Declaration of Confor- mity WAGO GmbH & Co. KG	-	-
UK-Declaration of Confor- mity WAGO GmbH & Co. KG	-	-

### Approvals for marine applications



Approval	Standard	Certificate Name
ABS American Bureau of Ship- ping	-	18-HG1755093-PDA
BV Bureau Veritas S.A.	EN 60998	11914/D0 BV
DNV GL Det Norske Veritas, Ger- manischer Lloyd	EN 60998	TAE000015T
LR Lloyds Register	EN 60998	LR22207029TA

## Downloads

### Environmental Product Compliance

#### Compliance Search

Environmental Product  
Compliance 773-106



## CAD/CAE-Data

#### CAE data

WSCAD Universe  
773-106



## 1 Compatible Products

### 1.1 Optional Accessories

#### 1.1.1 Mounting adapter

##### 1.1.1.1 Mounting accessories



**Item No.: 773-332**

Mounting carrier; 773 Series - 2.5 mm<sup>2</sup> / 4 mm<sup>2</sup> / 6 mm<sup>2</sup>; for DIN-35 rail mounting / screw mounting; orange

#### 1.1.2 Tool

##### 1.1.2.1 "Alu-Plus" contact paste



**Item No.: 249-130**

Syringe; Contents: 20 ml Alu-Plus contact paste