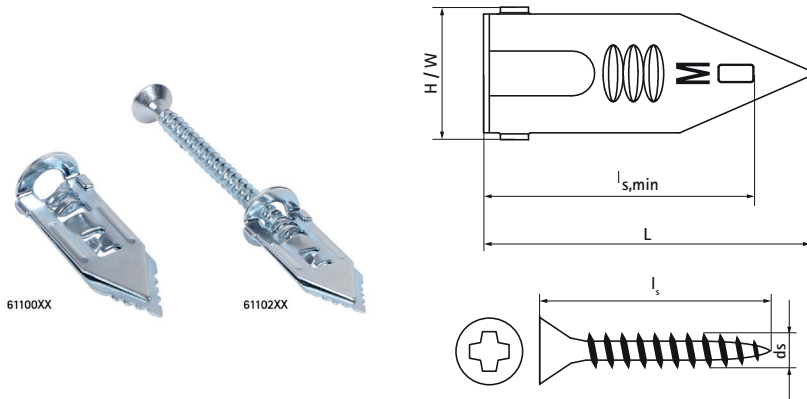


## Walraven WPF Plasterboard Fixings

(L0722)

A classic hammer-in fixing for plasterboard



### Features & benefits

- quick and easy to install
- central thread guide provides optimum screw positioning
- does not require drilling
- sharp tip allows precise installation
- for use with  $\varnothing$  3.5-5.0 mm wood or chipboard screws
- Application: interior decorations, pictures, lamps, electrical fittings
- material: steel
- zinc plated

Product Number	Total Length	Minimum Screw Depth	Screw Size	Screw Length	Total Height	Total Width
Reference letter	<i>L</i>	<i>l<sub>s,min</sub></i>	<i>ds</i>	<i>l<sub>s</sub></i>	<i>H</i>	<i>W</i>
Unit description	<i>mm</i>	<i>mm</i>		<i>mm</i>	<i>mm</i>	<i>mm</i>
6110063	30	27			12	12
6110263	50	27	4	50	12	12
6110334	50	27	4	50	12	12
6110092	30	27			12	12