

**LULU Three-hole single-lever bath mixer for bath rim or tile edge installation -  
Chrome**

LULU

27 412 710



- spout: circular, air-enriched flow
- max. flow 26.4 l/min at 3 bar flow pressure
- Hand shower: COMPACT RAIN, max. flow rate 6.8 l/min (at 3 bar)
- complete hand shower set with anti-scale system
- automatic bath/shower diverter
- height of mixer 110 mm
- height up to aerator 84 mm
- 215mm projection
- hole diameter spout 32 mm
- hole diameter single-lever mixer 35 mm
- hole diameter for complete hand shower set 32 mm
- rosette for spout 63 x 63mm
- rosette for complete hand shower set 63 x 63mm
- rosette for single-lever mixer 52 x 52mm
- metal shower hose 1750mm with integrated anti-twist protection

Intrinsic protection against back flow.



Chrome

27 412 710-00



Brushed Platinum

27 412 710-06

**Recommended miscellaneous**



**Perfecto installation kit -**

12 614 970 90

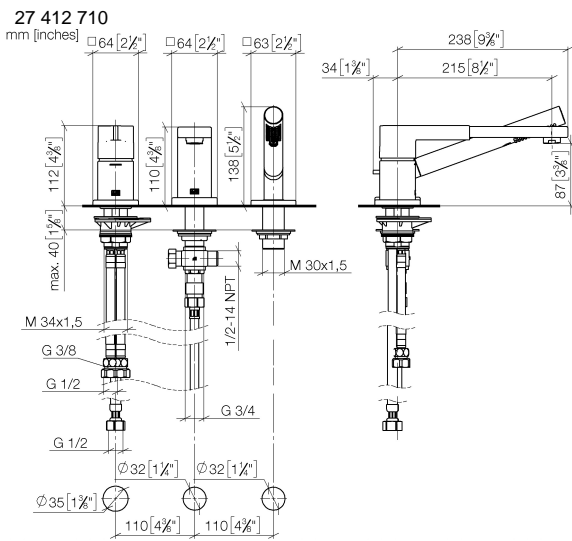
**Recommended miscellaneous**



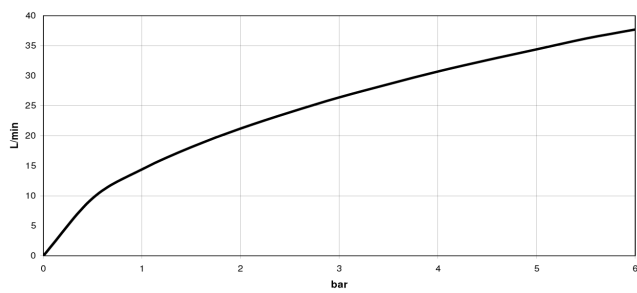
**Decorative caps for Perfecto -  
Chrome**

- 1 pair

12 801 970-00



Flow rate chart



Codes & Standards

ASME A112.18.1      cUPC      DIN 4109      EN 1717

ISO 3822      Ü-Zeichen



LULU Three-hole single-lever bath mixer for bath rim or tile edge installation -  
Chrome

---

LULU

27 412 710

Certificates and sustainability

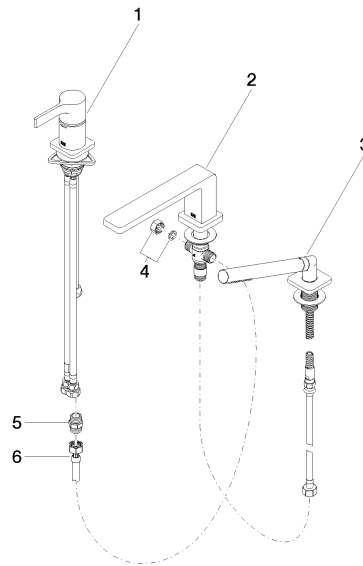
---

IAPMO\_4976

Belgaqua\_24-008-2 LGA\_29

EPD-DOR-20230287  
-IBA1-EN  
Environmental.prod  
uct-declarat

27 412 710



### Spare parts list

No.	Item Number	Name	Quantity used	Delivery time
2	13 512 710-00	LULU Bath spout with diverter for deck mounting - Chrome	1.00	-
Spare part can no longer be ordered, please order the replacement item				
6	12 502 970 90	High pressure hose 1/2" x 1/2" x 400 mm -	1.00	14
1	29 300 710-00	LULU Single-lever bath mixer for bath rim or tile edge installation - Chrome	1.00	-
Spare part can no longer be ordered, please order the replacement item				
3	27 702 710-00	LULU Hand shower set for bath rim or tile edge installation - Chrome	1.00	-
Spare part can no longer be ordered, please order the replacement item				
5	90 24 03 168 00 90	Nipple 1/2" x 1/2" -	1.00	14
4	04 21 02 006 00 92	Cap with seal Screw connection 1/2" -	1.00	14