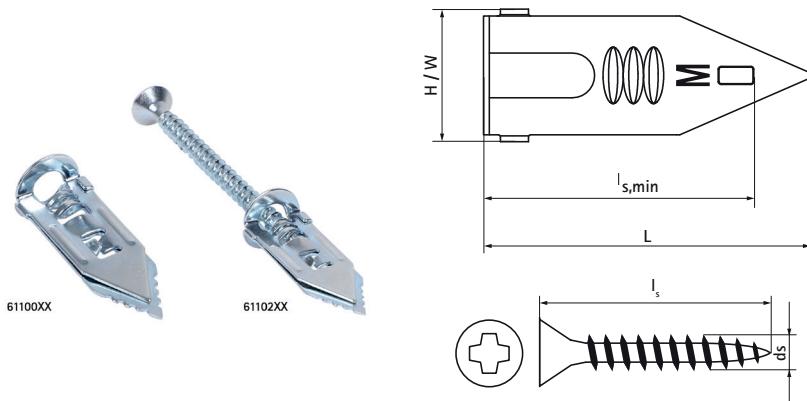


Walraven WPF Plasterboard Fixings

(L0722)

A classic hammer-in fixing for plasterboard



Features & benefits

- quick and easy to install
- central thread guide provides optimum screw positioning
- does not require drilling
- sharp tip allows precise installation
- for use with \varnothing 3.5-5.0 mm wood or chipboard screws
- Application: interior decorations, pictures, lamps, electrical fittings
- material: steel
- zinc plated

Product Number	VVS Number	Total Length	Minimum Screw Depth	Screw Size	Screw Length	Total Height	Total Width
Reference letter		<i>L</i>	<i>l_{s,min}</i>	<i>ds</i>	<i>l_s</i>	<i>H</i>	<i>W</i>
Unit description		mm	mm		mm	mm	mm
6110063	018035982	30	27			12	12
6110092	018035983	30	27			12	12
6110334	018035995	50	27	4	50	12	12
6110263	018035994	50	27	4	50	12	12