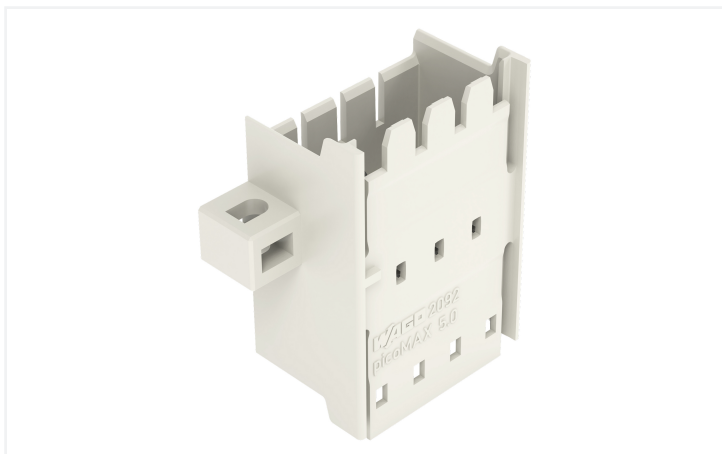


Data Sheet | Item Number: 2092-1635/024-000

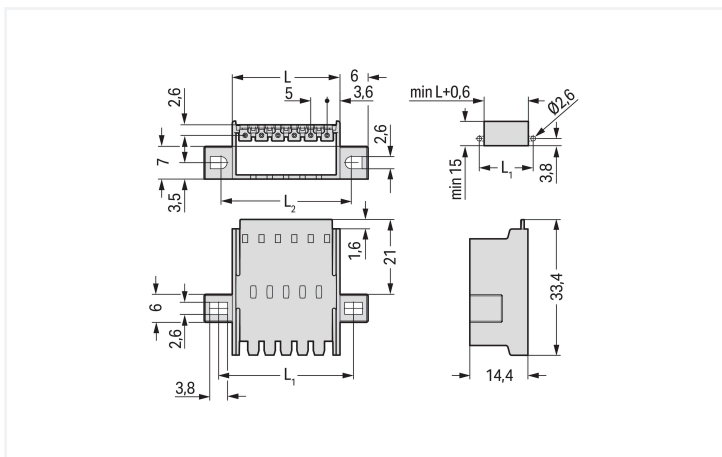
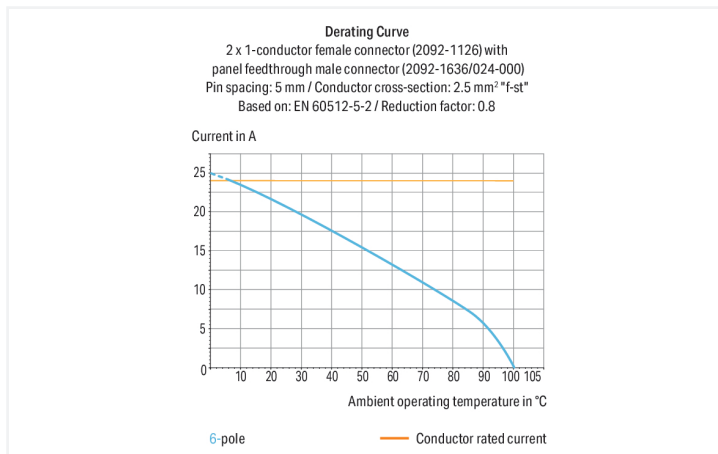
Panel feedthrough male connector; clamping collar; 2.5 mm²; 5-pole; Pin spacing 5 mm; light gray

<https://www.wago.com/2092-1635/024-000>



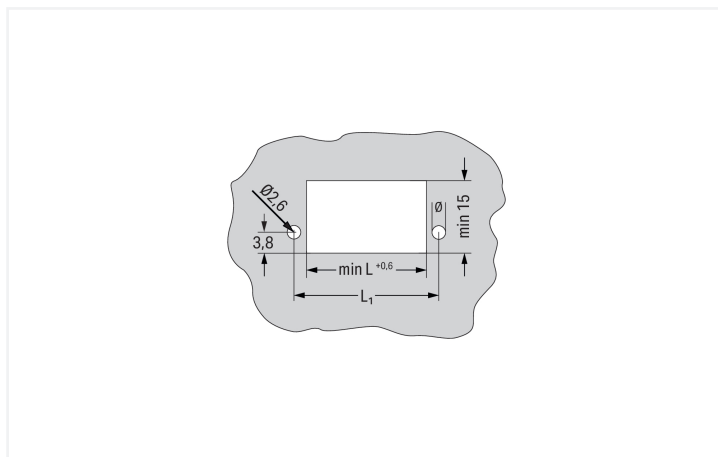
Color: ■ light gray

Similar to illustration



Dimensions in mm

$L = (\text{pole no.} \times \text{pin spacing}) + 2.2 \text{ mm}$
 $L_1 = (\text{pole no.} \times \text{pin spacing}) + 8 \text{ mm}$
 $L_2 = (\text{pole no.} \times \text{pin spacing}) + 7 \text{ mm}$



Dimensions in mm

Male connector, 2092 Series, with 5 mm pin spacing

Our male connector (item number 2092-1635/024-000) simplifies electrical installations. The dimensions are (39.2 x 14.4 x 33.4) mm (width x height x depth).

Tin is used for coating the contact surfaces.

Notes

Safety Information

The **picoMAX® Pluggable Connection System** includes connectors without breaking capacity in accordance with DIN EN 61984. When used as intended, these connectors must not be connected/disconnected when live or under load. When used as intended, these connectors must not be connected/disconnected when live or under load. The circuit design should ensure header pins, which can be touched, are not live when un-mated.

Electrical data

| Ratings per | IEC/EN 60664-1 | | | Approvals per | UL 1059 | | |
|---------------------------------|----------------|-------|-------|---------------|-----------|---|-------|
| | III | III | II | | Use group | B | C |
| Overvoltage category | III | III | II | Use group | B | C | D |
| Pollution degree | 3 | 2 | 2 | Rated voltage | 300 V | - | 300 V |
| Nominal voltage | 250 V | 320 V | 630 V | Rated current | 15 A | - | 10 A |
| Rated impulse withstand voltage | 4 kV | 4 kV | 4 kV | | | | |
| Rated current | 16 A | 16 A | 16 A | | | | |

Connection Data

| | | |
|----------------------------|---|--------------------------------------|
| Total number of potentials | 5 | Connection 1 Pole number 5 |
| Number of connection types | 1 | |
| Number of levels | 1 | |

Physical data

| | |
|-------------|------------------------|
| Pin spacing | 5 mm / 0.197 inches |
| Width | 39.2 mm / 1.543 inches |
| Height | 14.4 mm / 0.567 inches |
| Depth | 33.4 mm / 1.315 inches |

Mechanical data

| | |
|---|---|
| Variable coding | No |
| Mounting type | Mounting flange |
| Mounting type | Feed-through mounting Panel mounting |
| Anti-rotation protection | Yes |
| Suitable for through-panel applications | Yes |

Plug-in connection

| | |
|--------------------------------------|-------------------------|
| Contact type (pluggable connector) | Male connector/plug |
| Connector (connection type) | for pluggable connector |
| Mismating protection | No |
| Plugging without loss of pin spacing | Yes |
| Locking of plug-in connection | Locking latch |

Material data

| | |
|------------------------------------|--|
| Note (material data) | Information on material specifications can be found here |
| Color | light gray |
| Material group | I |
| Insulation material (main housing) | Polyphthalamide (PPA GF) |
| Flammability class per UL94 | V0 |
| Contact material | Electrolytic copper (E _{Cu}) |
| Contact Plating | Tin |
| Fire load | 0.104 MJ |
| Weight | 4.9 g |

Environmental requirements

| | |
|-------------------------|-----------------|
| Limit temperature range | -60 ... +100 °C |
| Processing temperature | -35 ... +60 °C |

Commercial data

| | |
|-----------------------|-------------------------|
| Product Group | 26 (picoMAX Connectors) |
| PU (SPU) | 50 pcs |
| Packaging type | Box |
| Country of origin | DE |
| GTIN | 4050821165736 |
| Customs tariff number | 85366930000 |

Product Classification

| | |
|-------------|----------------------|
| UNSPSC | 39121409 |
| eCl@ss 10.0 | 27-14-11-06 |
| eCl@ss 9.0 | 27-14-11-06 |
| ETIM 9.0 | EC001284 |
| ETIM 10.0 | EC001284 |
| ECCN | NO US CLASSIFICATION |

Environmental Product Compliance

| | |
|------------------------|-------------------------|
| RoHS Compliance Status | Compliant, No Exemption |
|------------------------|-------------------------|

Approvals / Certificates

General approvals



| Approval | Standard | Certificate Name |
|--|---------------|------------------|
| CB DEKRA Certification B.V. | IEC 61984 | NL-89885 |
| CSA CSA Group | C22.2 | 2362521 |
| CSA DEKRA Certification B.V. | C22.2 No. 158 | 2362521 |
| cURus Underwriters Laboratories Inc. | UL 1059 | E45172 |
| KEMA/KEUR DEKRA Certification B.V. | EN 61984 | 71-129874 |
| UL Underwriters Laboratories Inc. | UL 1977 | E45171 |

Downloads

Environmental Product Compliance

Compliance Search

Environmental Product
Compliance
2092-1635/024-000



Documentation

Additional Information

Technical Section

03.04.2019

pdf

2027.26 KB



CAD/CAE-Data

CAD data

2D/3D Models
2092-1635/024-000



CAE data

EPLAN Data Portal
2092-1635/024-000



ZUKEN Portal
2092-1635/024-000



Installation Notes



"Wire-to-wire" panel feedthrough connection

Notice: Male connectors must not be live when disconnected!



"Wire-to-board" panel feedthrough connection